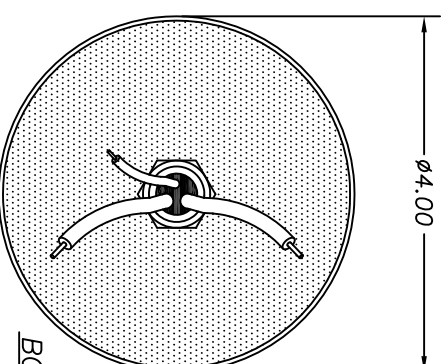
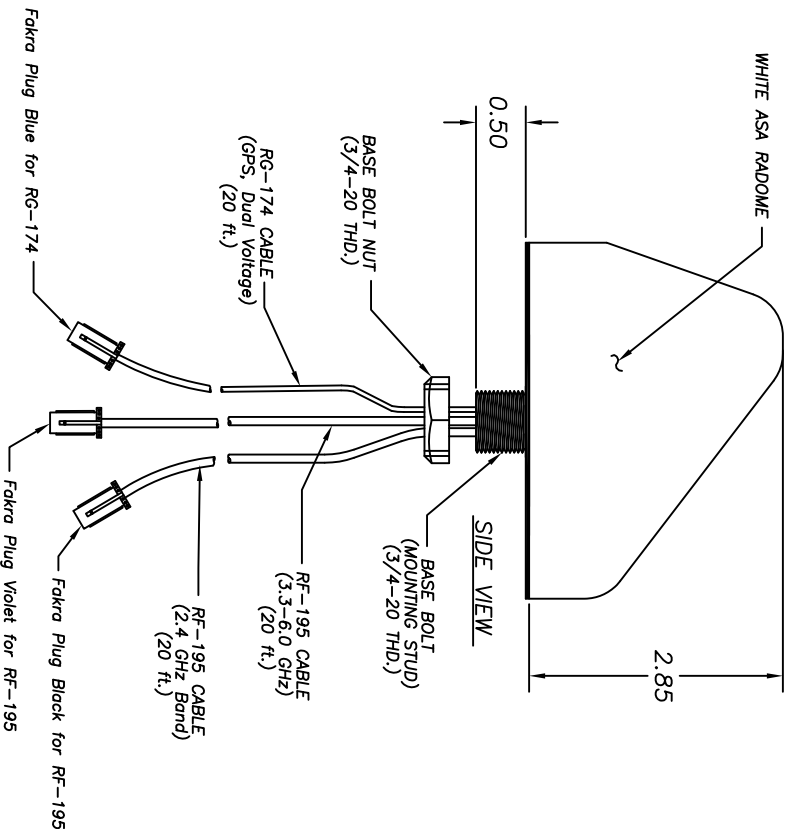
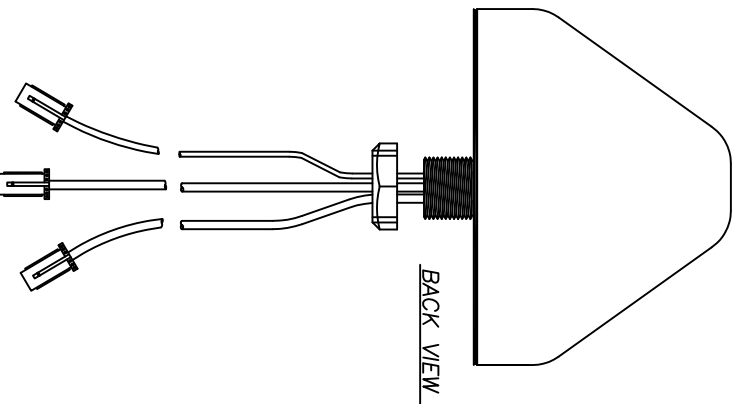


# SMW-306-3H3H2H SP-248

Previously EDN 238-1800

**Multi-band Surface Mount Antenna  
2400-2485 MHz & 3300-6000 MHz with GPS**



**Frequency:**

CABLE NO. 1  
2400-2485 MHz (WiFi, WLAN, 802.11b/g)

CABLE NO. 2  
3300-6000 MHz (Broadband Wireless)

CABLE NO. 3  
1575.42 ± 2 MHz (GPS)

### Antenna Specifications:

Gain: \_\_\_\_\_ 5 dBi Peak for 2400-2485 MHz  
5 dBi Peak for 3300-6000 MHz

GPS Unit Gain \_\_\_\_\_ 26 dBi, 5 dBi Antenna

Voltage \_\_\_\_\_ 3.3/5 VDC

Current \_\_\_\_\_ 10mA (typ.), 20mA (max.)

VSWR: \_\_\_\_\_ < 2:1 VSWR over range

Maximum Power: \_\_\_\_\_ 10 Watts

Connector/Interface: \_\_\_\_\_ Fakra Plug

Case: \_\_\_\_\_ 4.0" Dia. x 2.85" High

Radome Material: \_\_\_\_\_ White ASA UV Resistant

Cable \_\_\_\_\_ cable 1 \_\_\_\_\_ RF-195, 20 ft. (2400-2485 MHz)  
\_\_\_\_\_ cable 2 \_\_\_\_\_ RF-195, 20 ft. (3300-6000 MHz)  
\_\_\_\_\_ cable 3 \_\_\_\_\_ RG-174, 20 ft. (GPS Dual Voltage)

Impedance: \_\_\_\_\_ 50 OHM Nominal

Mounting: \_\_\_\_\_ 3/8" lg. thread for up to 1/4" thick surface 304 S.S.

Operating Temperature: \_\_\_\_\_ -30° to +80° C

# Mobile Mark Communication Antennas

US OFFICE & HEADQUARTERS: 3900-B RIVER ROAD, SCHILLER PARK, IL 60176  
TEL: (847) 671-6690 \* FAX (847) 671-6715

UK OFFICE: 106 ANGLESEY BUSINESS PARK, HEDNESFORD, STAFFS.  
WS12 1NR UK TEL: (+44) 1543-878434 FAX (+44) 1543-871714

VISIT OUR WEBSITE AT WWW.MOBILEMARK.COM

