

SMW404-3A3Y3Y00

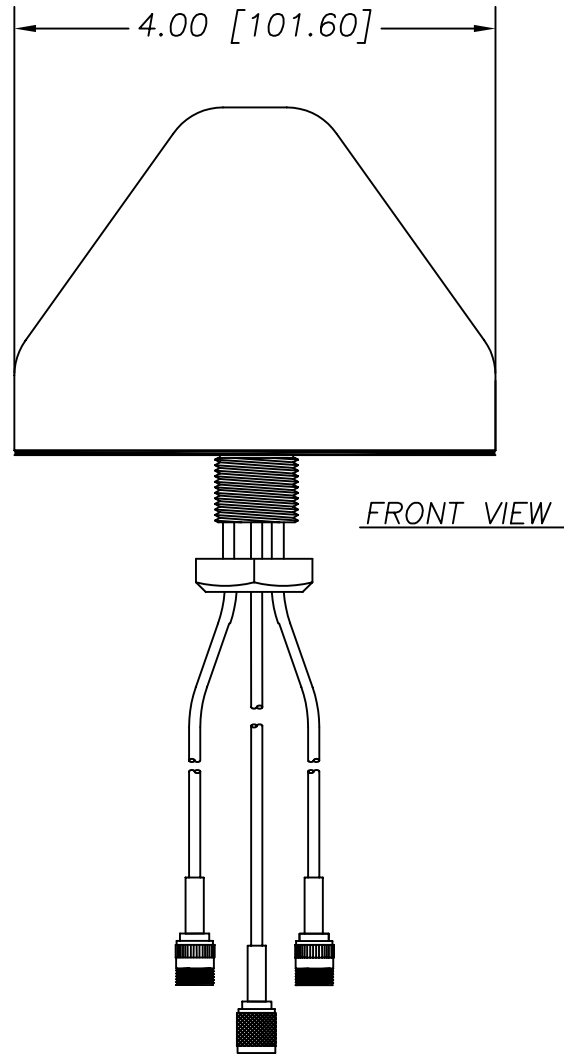
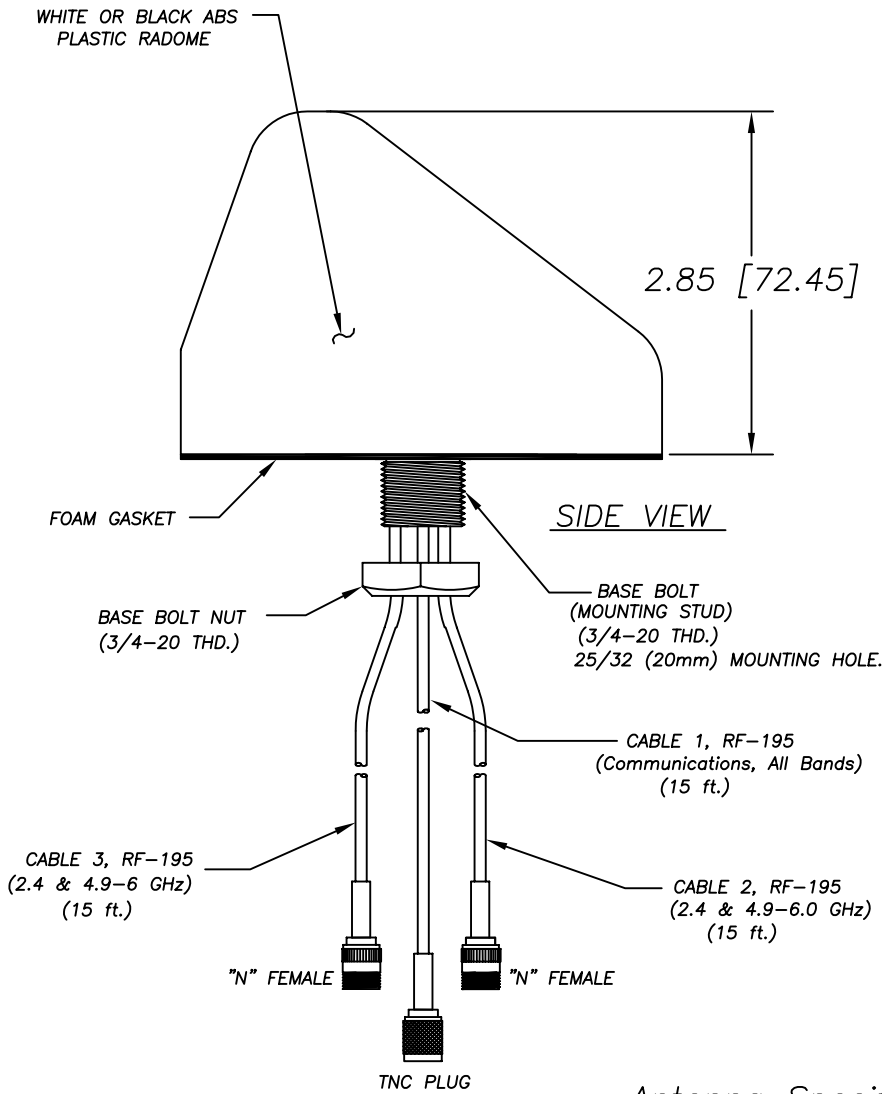
Multi-band Surface Mount Antenna

Cellular/GSM/DCS/PCS/UMTS with 2.4 & 4.9 thru 6.0 GHz
with additional 2.4 & 4.9-6 GHz band.

MOBILE MARK[®]

COMMUNICATION ANTENNAS

3900-B RIVER ROAD, SCHILLER PARK, IL 60176
PHONE: (847) 671-6690 * FAX (847) 671-6715
VISIT OUR WEBSITE AT WWW.MOBILEMARK.COM



Antenna Specifications:

Frequency:

CABLE NO. 1

806-960 MHz (Nextel, Cellular, GSM)
1710-2170 MHz (DCS, PCS, 1XRIT, GPRS, UMTS)

CABLE NO. 2

2.4 & 4.9-6 GHz

CABLE NO. 3

2.4 & 4.9-6 GHz

CABLE NO. 4

NO GPS

- Gain: ————— 2 dBi Peak for 806-960 MHz
- 5 dBi Peak for 1710-2170 MHz
- 5 dBi Peak for 2400 & 4900-6000 MHz
- 5 dBi Peak for 2400 & 4900-6000 MHz
- VSWR: ————— < 2:1 VSWR over range
- Maximum Power: ————— 10 Watts
- Connector/Interface: — As Shown
- Case: ————— 4.0" Dia. x 2.85" High
- Radome Material: — White or Black ASA UV Inhibitive
- Cable ————— cable 1 — RF-195, 15 ft. (Comm.1/800 & 1900 MHz)
- cable 2 — RF-195 15 ft. (2.4 & 4.9-6 GHz)
- cable 3 — RF-195 15 ft. (2.4 & 4.9-6 GHz)
- cable 4 — NO GPS
- Impedance: ————— 50 OHM Nominal
- Mounting: ————— 3/4" Dia. Feed through.
- 3/8" lg. thread for up to 1/4" thick surface 304 S.S.
- Operating Temperature: — -30° to +80° C