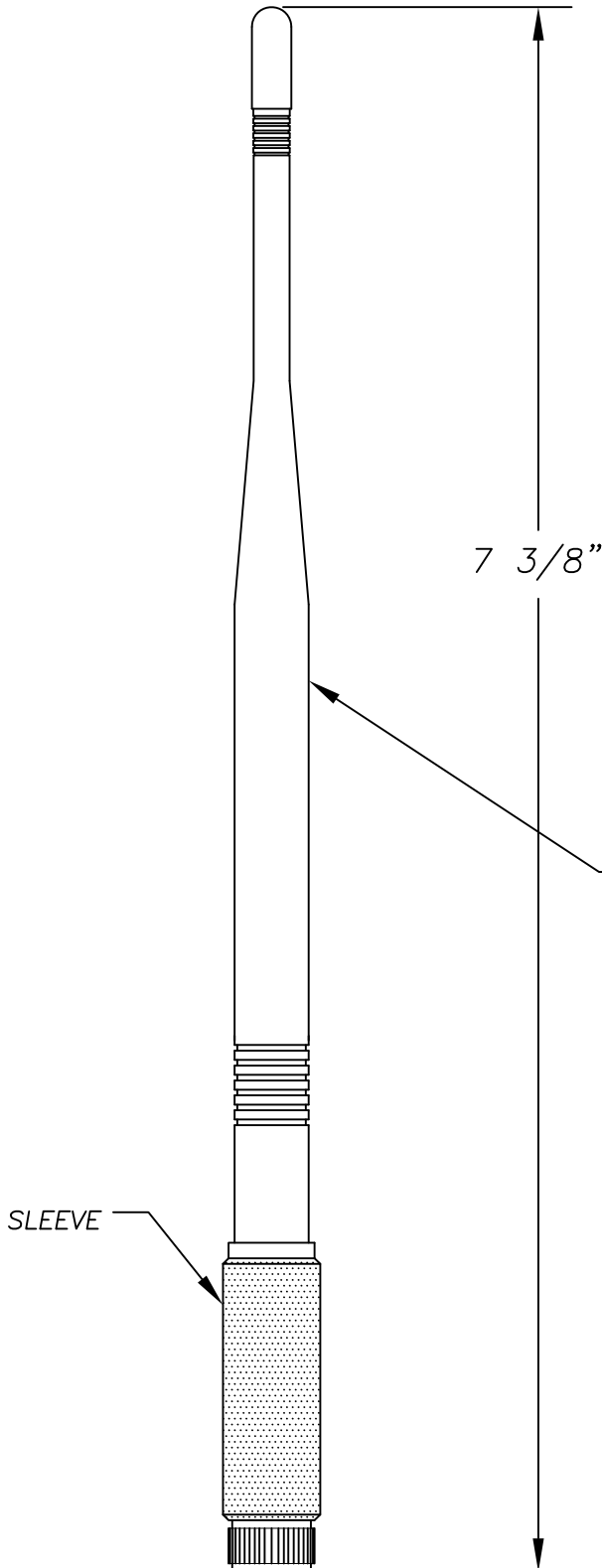


PSN3-1800S

1/2 Wave Device Antenna GSM, DCS-1800 with Sleeve

MOBILE MARK[®]
COMMUNICATIONS ANTENNAS

3900-B RIVER ROAD, SCHILLER PARK, IL 60176
PHONE: (847) 671-6690 * FAX (847) 671-6715
VISIT OUR WEBSITE AT WWW.MOBILEMARK.COM



Mechanical Properties:

Connector: SMA Male Connector

Material:

Whip: Polyurethane(Black)

Sleeve: ABS Plastic (Black)

Electrical Properties:

Frequency Range: — 1710–1880 MHz

Impedance: — 50 Ohm nominal

VSWR: — <2.0:1 over band

Gain: — 2.3 dBi max.

Wave: — Half Wave Dipole

Max. Power: — 10 Watts

BLACK ABS RADOME

SLEEVE

SMA BODY

SMA PIN

CONNECTOR SECTION