



The HFP-series of high power fixed attenuators have been redesigned to extend the frequency range and average power. These units are both available to 3 GHz. Standard dB values (1, 2, 3, 6, 10, 20 and 30 dB) are available. These units have N male to N female connectors. Other connector options are available upon request. These units are unidirectional.

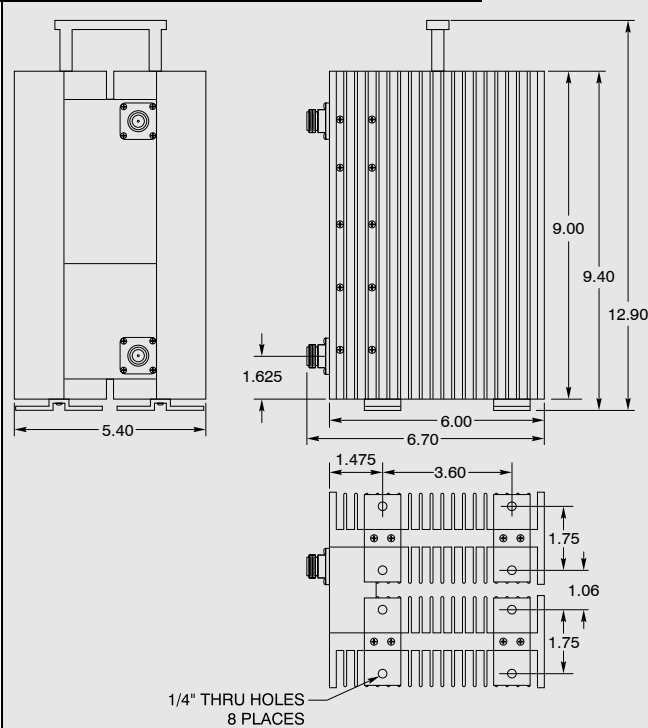


Figure 1.

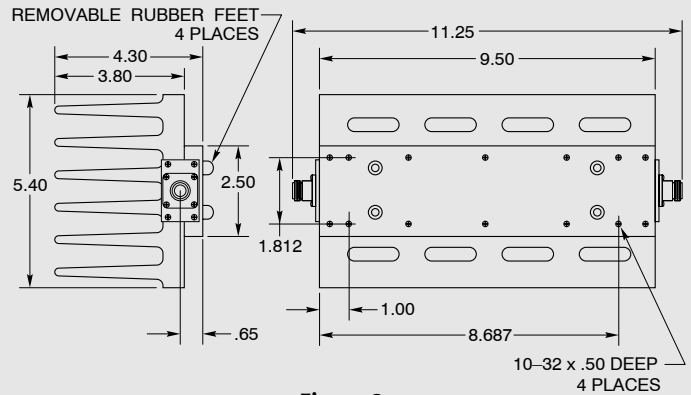
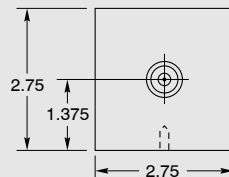


Figure 2.



6-32 x .375 DEEP TYP. 2 PLACES

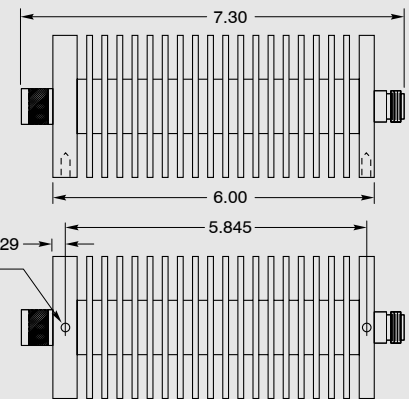


Figure 3.

Specifications		HFP-5300-3A	HFP-5500-3	HFP-51000-3
Impedance		50 Ohms	50 Ohms	50 Ohms
Frequency Range		DC to 3 GHz	DC to 3 GHz	DC to 3 GHz
Attenuation Values		1, 2, 3, 6, 10, 20, 30	3, 6, 10, 20, 30	3, 6, 10, 20, 30
Power		300 Watts	500 Watts	1000 Watts
Connector Types		N M/F	N M/F	N M/F
Accuracy	DC-1 GHz	1-3 dB, 0.3 dB	1-3 dB, 0.3 dB	1-3 dB, 0.3 dB
		6 & 10 dB, 0.4 dB	6 & 10 dB, 0.4 dB	6 & 10 dB, 0.4 dB
		20 dB, 0.5 dB	20 dB, 0.5 dB	20 dB, 0.5 dB
		30 dB, 0.8 dB	30 dB, 0.8 dB	30 dB, 0.8 dB
	1-3 GHz	1-3 dB, 0.5dB	1-3 dB, 0.5dB	1-3 dB, 0.5dB
		6 dB, 0.6 dB	6 dB, 0.6 dB	6 dB, 0.6 dB
		10 dB, 0.8 dB	10 dB, 0.8 dB	10 dB, 0.8 dB
		20 dB, 1.0 dB	20 dB, 1.0 dB	20 dB, 1.0 dB
		30 dB, 1.3 dB	30 dB, 1.3 dB	30 dB, 1.3 dB
Max. VSWR	DC to 1 GHz	1.10:1	1.10:1	1.10:1
	1 to 3 GHz	1.30:1	1.30:1	1.30:1
Weight		12 lbs	7.9 lbs	26.5 lbs