

Figure 3.

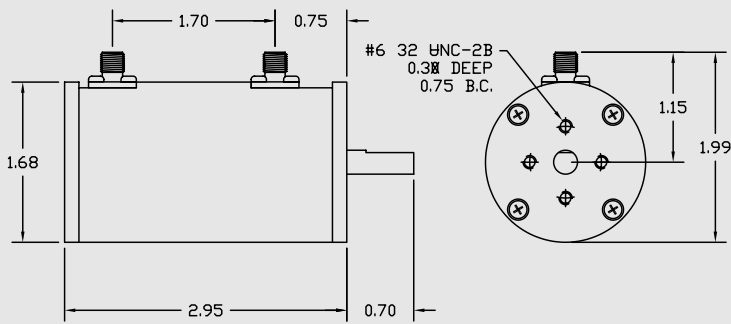
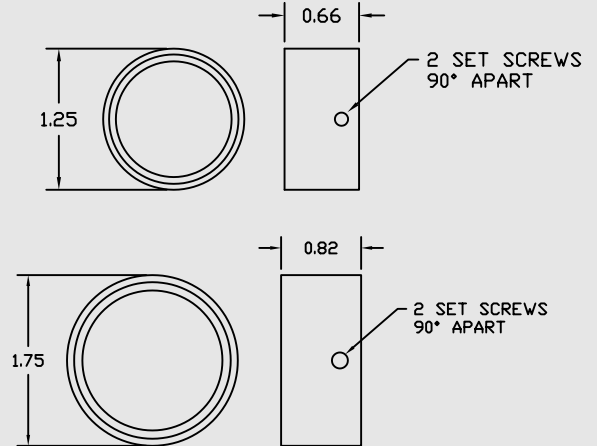


Figure 4.



Trilithic's RSA series rotary attenuators were designed to replace the lower frequency RA series attenuators. The RSA series rotary attenuators have 50 ohm impedance with attenuation as high as 100 dB dynamic range (in 10 dB steps) on the RSA-35100; or as low as 1 dB dynamic range (in 0.1 dB steps) on the RSA-3501. The RSA series operates from DC to 3 GHz, offer low VSWR with high accuracy and low costs. Connector options include BNC, N, SMA and TNC.

Specifications	RSA- 3501	RSA-3510	RSA-3570	RSA-35100
Frequency Range	DC - 2 GHz	DC - 3 GHz	DC - 3 GHz	DC - 3 GHz
dB Value	0 to 1 by .1 dB	0 to 10 by 1 dB	0 to 70 by 10 dB	0 to 100 by 10 dB
Connectors	Female: SMA, BNC, TNC, N (BNC not recommended above 1 GHz)	Female: SMA, BNC, TNC, N (BNC not recommended above 1 GHz)	Female: SMA, BNC, TNC, N (BNC not recommended above 1 GHz)	Female: SMA, BNC, TNC, N (BNC not recommended above 1 GHz)
Impedance	50 Ohms	50 Ohms	50 Ohms	50 Ohms
VSWR	1.25:1 DC to 1 GHz 1.35:1 1.0 to 2.0 GHz	1.25:1 DC to 1 GHz 1.35:1 1.0 to 2.0 GHz 1.50:1 2.0 to 3.0 GHz	1.25:1 DC to 1 GHz 1.35:1 1.0 to 2.0 GHz 1.50:1 2.0 to 3.0 GHz	1.25:1 DC to 1 GHz 1.35:1 1.0 to 2.0 GHz 1.50:1 2.0 to 3.0 GHz
Accuracy	±0.05 dB DC to 2 GHz	±0.25 dB DC to 1.0 GHz ±0.35 dB 1.0 to 2.0 GHz ±0.5 dB 2.0 to 3.0 GHz	±0.25 dB or ±1.5% (Whichever is greater) DC to 1.0 GHz ±0.35 dB or ±2.0% (Whichever is greater) 1.0 to 2.0 GHz ±0.5 dB or ±3.0% (Whichever is greater) 2.0 to 3.0 GHz	±0.25 dB or ±1.5% (Whichever is greater) DC to 1.0 GHz ±0.35 dB or ±2.0% (Whichever is greater) 1.0 to 2.0 GHz ±0.5 dB or ±3.0% (Whichever is greater) 2.0 to 3.0 GHz
Insertion Loss	0.9 dB max. DC- 1.0 GHz 1.1 dB max. 1.0 - 2.0 GHz	0.3 dB max. DC- 1.0 GHz 0.5 dB max. 1.0 - 2.0 GHz 0.7 dB max 2.0 - 3.0 GHz	0.25 dB max. DC- 1.0 GHz 0.50 dB max. 1.0 - 2.0 GHz 0.75 dB max 2.0 - 3.0 GHz	0.25 dB max. DC- 1.0 GHz 0.50 dB max. 1.0 - 2.0 GHz 0.75 dB max 2.0 - 3.0 GHz
Temperature	0° to 50°C	0° to 50°C	0° to 50°C	0° to 50°C
Average Power	1 Watt (25°C)	1 Watt (25°C)	1 Watt (25°C)	1 Watt (25°C)
Peak Power	200 Watts, pulse, 1µSec. Duty cycle .001	200 Watts, pulse, 1µSec. Duty cycle .001	200 Watts, pulse, 1µSec. Duty cycle .001	200 Watts, pulse, 1µSec. Duty cycle .001
Rotation	30 degrees	30 degrees	30 degrees	30 degrees
Weight	12 oz.	12 oz.	14.4 oz.	14.4 oz.
Material	Aluminum & Zinc	Aluminum & Zinc	Aluminum & Zinc	Aluminum & Zinc