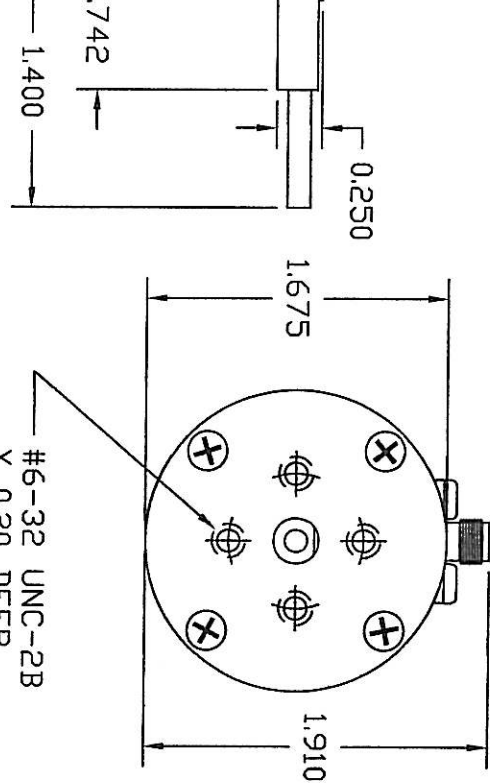
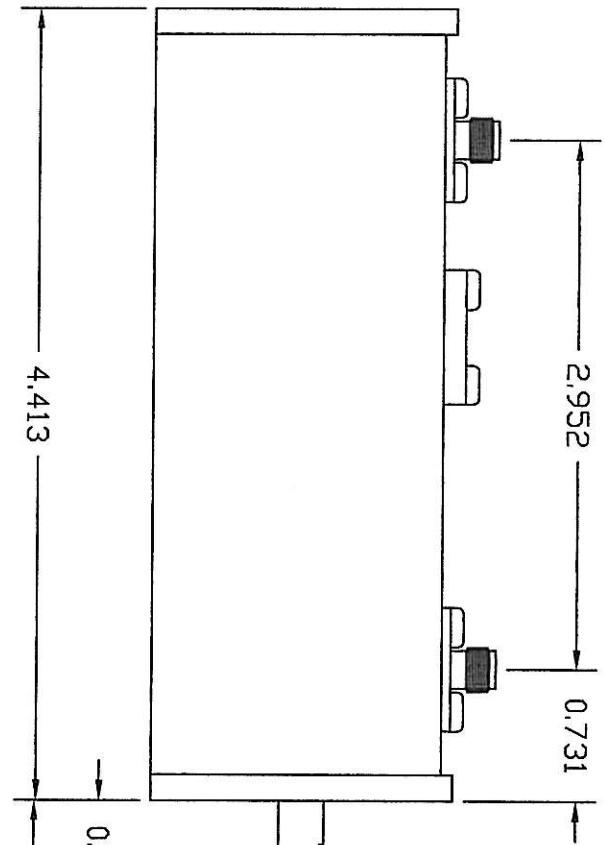
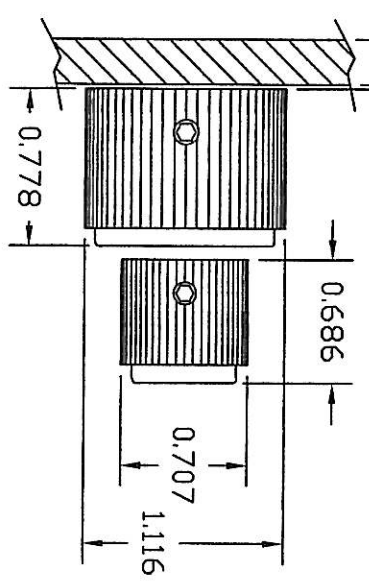


REVISIONS				
REV	DESCRIPTION	DATE	APPD	ECN
A	ADDED PANEL CUTOUT	4/4/07		



0.250/6.4mm MAX. PANEL THICKNESS
0.025 MIN. KNDB CLEARANCE



Ø0.156 THRU,
4 PLACES
DN A Ø0.75 B.C.

RECOMMENDED
PANEL CUTOUT

Ø0.275 THRU.

QTY.	PART NO.	DESCRIPTION	REMARKS	ITEM
		PARTS LIST		

DIMENSIONS ARE IN INCHES UNLESS OTHERWISE SPECIFIED.
TOLERANCES ARE:
DEC.XX ± .01 FRAC ±
.XXX ± .005 ANG ±
REMOVE BURRS, BREAK SHARP EDGES.

THIS PRINT INCLUDING THE PRINCIPLE OF DESIGN IS THE PROPERTY OF AND SUBMITTED BY TRILITHIC CORP. WITH THE UNDERSTANDING THAT IT IS NOT TO BE USED FOR ANY PURPOSE WITHOUT WRITTEN CONSENT.

TRILITHIC
Indianapolis, Indiana, U.S.A.
RSA-35110D SMA

MATERIAL		SIGNATURES		DATE	
N/A	N/A	DR	C. CRABTREE	3/23/05	
FINISH	N/A	CHK			
		APPD			
		APPD			

COMPONENTS OUTLINE

SIZE A 23042 DWG NO. 0040819110

DO NOT SCALE DRAWING SCALE 1=1 SHEET 1 OF 1