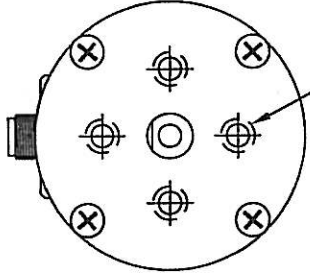
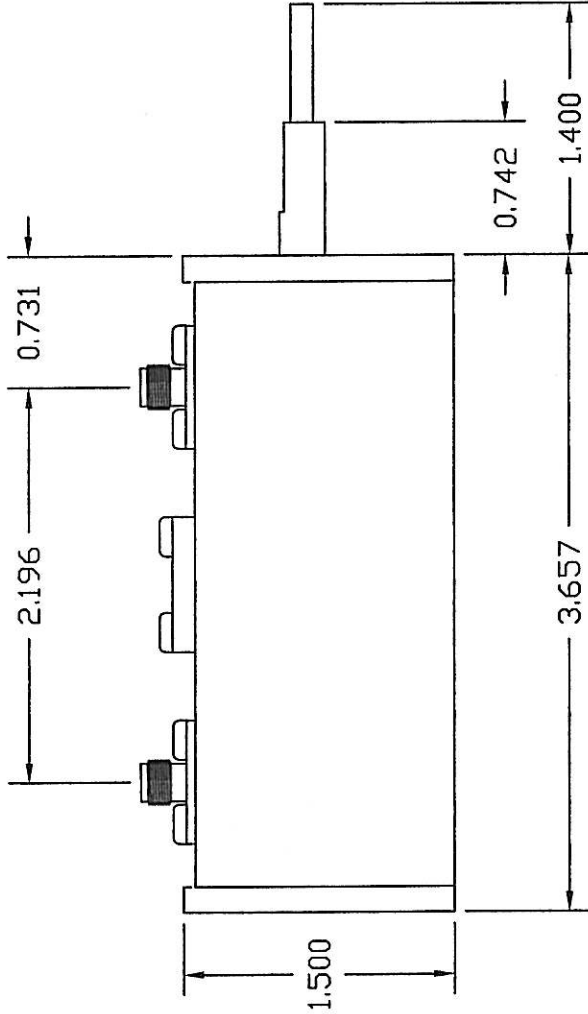
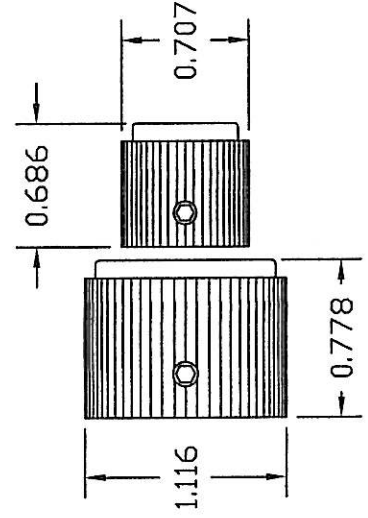


REVISIONS

REV	DESCRIPTION	DATE	APPD	ECN



#6-32 UNC-2B
X 0.30 DEEP
IN A Ø0.750 B.C.
4 PLACES



QTY.	PART NO.	DESCRIPTION	REMARKS	ITEM
PARTS LIST				
DIMENSIONS ARE IN INCHES UNLESS OTHERWISE SPECIFIED. TOLERANCES ARE: DEC.XX ± .01 FRAC ± .XXX ± .005 ANG ±		THIS PRINT INCLUDING THE PRINCIPLE OF DESIGN IS THE PROPERTY OF AND SUBMITTED BY TRILITHIC CORP. WITH THE UNDERSTANDING THAT IT IS NOT TO BE USED FOR ANY PURPOSE WITHOUT WRITTEN CONSENT.		
MATERIAL N/A FINISH N/A		TRILITHIC Indianapolis, Indiana, U.S.A. RSA-3530 & RSA-3550 COMPONENTS OUTLINE		
REMOVE BURRS. BREAK SHARP EDGES.		SIGNATURES DR C.CRABTREE CHK APPD	DATE 8/2/05	SCALE 1=1
DO NOT SCALE DRAWING		CAGE DWG NO. A 23042	REV 0040819001	SHEET 1 OF 1