

# SPECIFICATIONS

## ELECTRICAL:

FREQUENCY: 0-4 GHZ  
 VSWR @ DC - 2 GHZ : 1.10:1 MAX  
 VSWR @ 2 - 4 GHZ: 1.25:1 MAX

## INSERTION LOSS

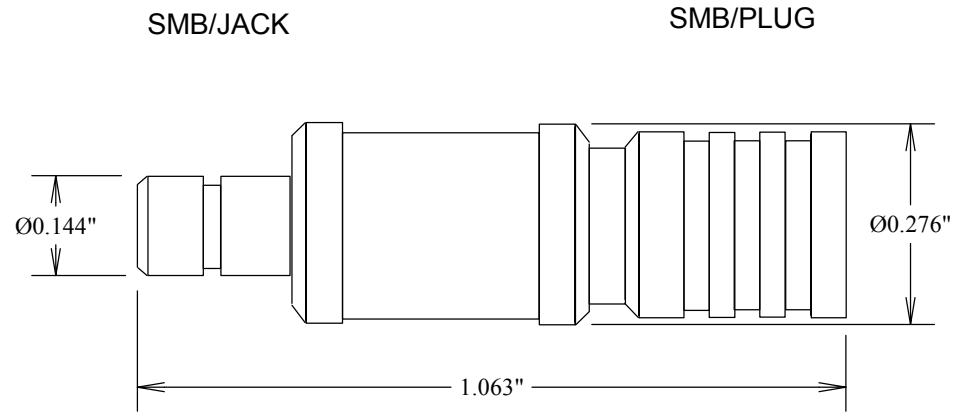
DC-2 GHZ (10 DB):  $\pm 0.2$  DB  
 2-4 GHZ (10 DB):  $\pm 0.3$  DB  
 POWER (AVG) 2 WATTS @ 25 DEG C  
 POWER (PEAK) 100 WATTS FOR 25 MICROSECONDS  
 POWER COEFFICIENT: 0.001DB/W  
 IMPEDANCE: 50 OHMS

## MECHANICAL:

MATERIAL BODY: BRASS  
 MATERIAL CONTACTS: BeCu  
 INSULATOR: TEFLON

## ENVIRONMENTAL:

TEMP: -50° C TO +80° C  
 ROHS COMPLIANT



				<b>FAIRVIEW MICROWAVE</b>			
				FAIRVIEW, TX WWW.FAIRVIEWMICROWAVE.COM			
				TITLE			
				<b>ATTENUATORS SMB PLUG/JACK 4 GHZ</b>			
				SIZE	CAGE CODE	DWG NO	REV
				<b>A</b>		<b>SA4B-XX</b>	--
				SCALE		SHEET	