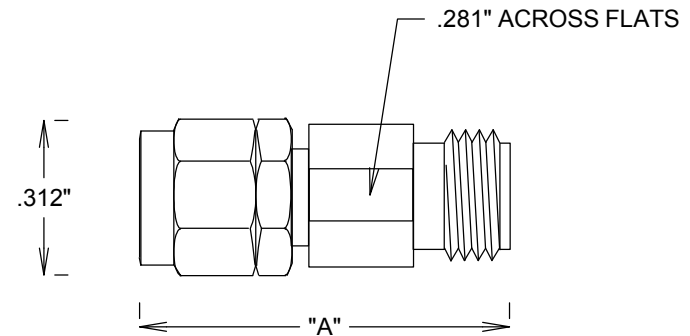


# SPECIFICATIONS

## ELECTRICAL:

FREQUENCY: 0-50 GHZ  
 VSWR @ 26.5 GHZ: 1.35:1 MAX  
 VSWR @ 40GHZ: 1.6:1 MAX  
 VSWR @ 50 GHZ: 1.75:1 MAX  
 POWER (AVG) 1 WATT MAX  
 POWER DERATES LINEARLY TO <10% AT 100° C  
 IMPEDANCE: 50 OHMS  
 ATTENUATION ACCURACY:

	0-26.5 GHZ	26.5-40 GHZ	40-50 GHZ
3-10 dB	±0.50 dB	±1.00 dB	±1.50 dB
20 & 30 dB	±0.75 dB	±1.25 dB	±2.00 dB



"A"	
0-20 dB	.871" ±.3"
30 dB	.911" ±.3"

## MECHANICAL:

MATERIAL BODY: PASSIVATED STAINLESS STEEL  
 MATERIAL RING & CONTACTS: BeCu  
 CENTER CONTACT: GOLD PLATED PER MIL-G-45204

## ENVIRONMENTAL:

TEMP: -65 C TO +125 C

				<b>FAIRVIEW MICROWAVE</b>			
				ALLEN, TX 75013 WWW.FAIRVIEWMICROWAVE.COM			
				TITLE			
				<b>ATTENUATORS 2.4 M/F 50GHZ</b>			
SIZE	CAGE CODE	DWG NO			REV		
<b>A</b>	3FKR5	<b>SA5074-XX</b>			A		
SCALE						SHEET	