

High Power ATTENUATORS

Model HFP Series

Features:

- DC-4 GHz
- 10, 25 & 50 Watts
- 3, 6, 10, 20 & 30 dB Values available from stock
- N male/ N female Configuration
- Bi-Directional



Trilithic's new series of HFP Series fixed attenuators are ideal for applications requiring up to 50 watts of CW RF input power and they offer accurate attenuation over a broad DC-4GHz frequency range. Standard dB values are available for immediate delivery with other dB values available in 4-5 weeks.

SPECIFICATIONS

| | | | | | |
|------------------------|--|--|------------------------|----------------------------|--------------------|
| FREQUENCY RANGE | DC to 4 GHz | ACCURACY DC-1 GHz +/- .25dB (3,6,10,20 dB) +/- .50dB (30 dB) 1-4 GHz +/- .50dB (3,6,10,20 dB) +/- .75dB (30 dB) | | | |
| IMPEDANCE | 50 Ohms | | | | |
| ATTENUATION | 3,6,10,20 & 30 dB consult factory for other values | | | | |
| INPUT POWER | HFP-510-4 10 Watts CW, 1 KW Peak HFP-525-4 25 Watts CW, 1 KW Peak HFP-550-4 50 Watts CW, 1 KW Peak | VSWR / RETURN LOSS | FREQUENCY RANGE | VSWR | RETURN LOSS |
| TEMPERATURE | -55 deg C to +70 Degrees C | DC - 1 GHz | 1 - 4 GHz | 1.15 :1 max 1.35 :1 max | 23.1 dB 16.5 dB |
| CONNECTORS | N male/ N female | | | | |

Note: Electrical & Mechanical Specifications and Dimension may change without prior notice.

Rev. 1105



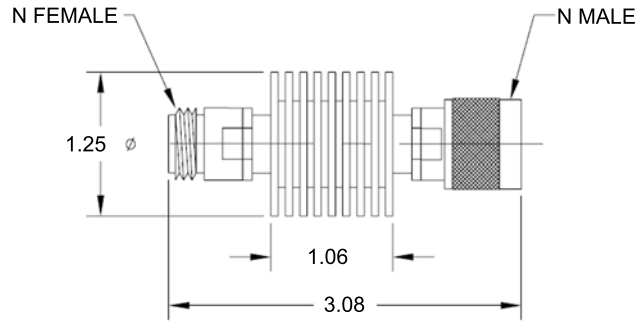
TRILITHIC
RF & MICROWAVE COMPONENTS



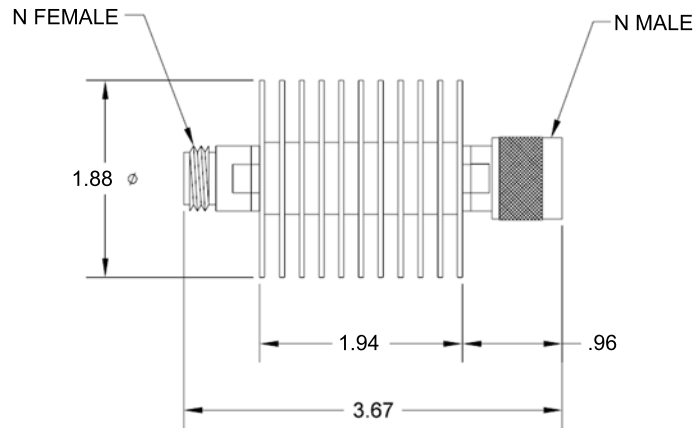
Trilithic, Inc 9710 Park Davis Drive, Indianapolis, Indiana 46235 USA
Toll Free (800) 344-2412 Phone: (317) 895-3600 Fax: (317) 895-3612
Web: www.trilithic.com Email: Sales@trilithic.com



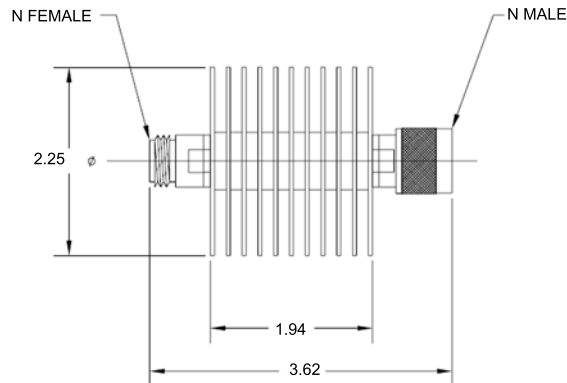
MECHANICAL DATA



Model HFP 510-4



Model HFP 525-4



Model HFP 550-4