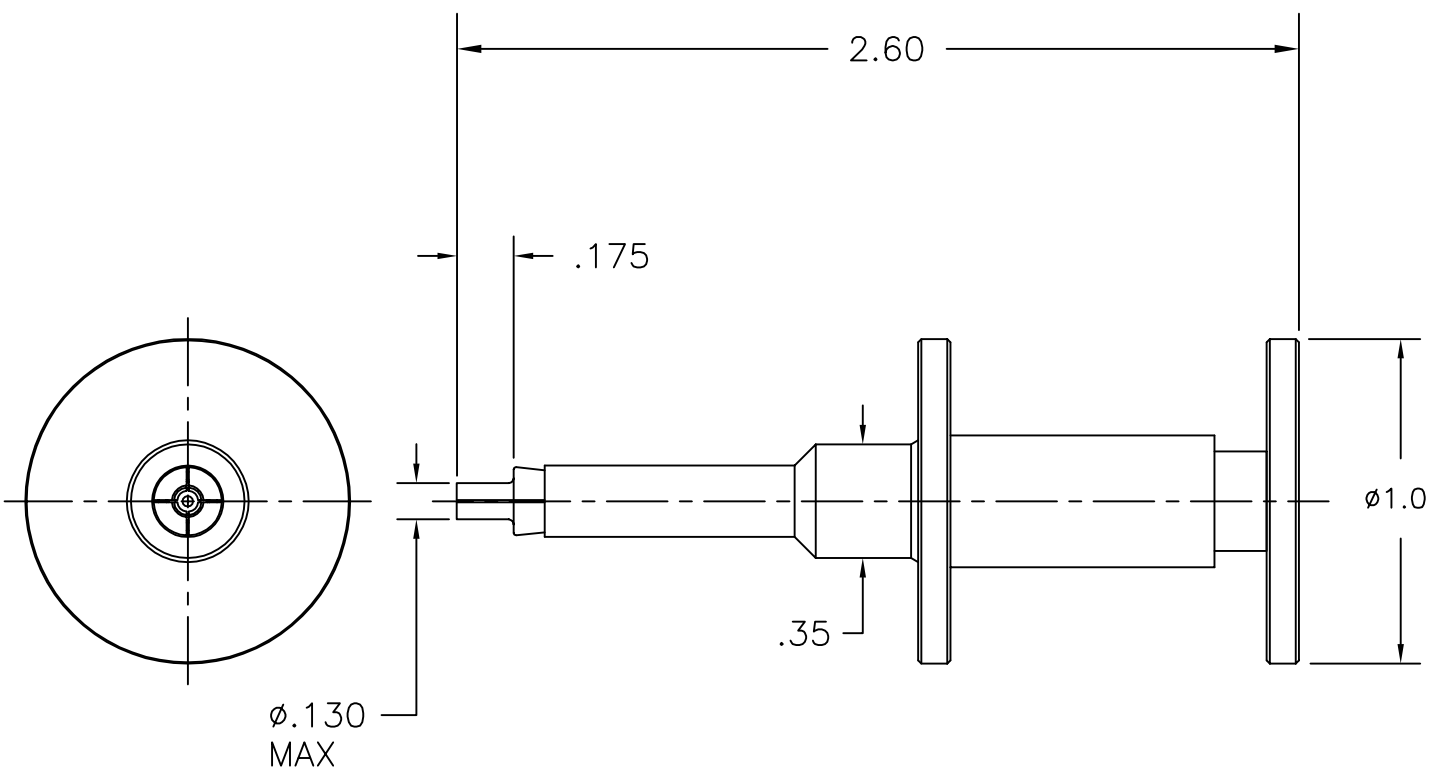


COMPONENT	MATERIAL AND FINISH	
HOLDER & PUSHER	303 CRES, ASTM A582	PASSIVATE, AMS-QQ-P-35
COLLET	BeCu, ASTM B196, UNS C17300	GOLD PLATE, MIL-G-45204
SPRING	302 CRES, ASTM A313	PASSIVATE, AMS-QQ-P-35

PART NO. MMTL-7407



OUTLINE DRAWING



MICRO-MODE PRODUCTS, INC.
The Reliable Connection to the Future

El Cajon, CA 92020
ph 619.449.3844
www.micromode.com

CAGE CODE
15907

INSTALLATION/EXTRACTION TOOL FOR
MSSP BLINDMATE INTERCONNECTS

PART NO.	MMTL-7407	REVISION	-
----------	-----------	----------	---