

# SPECIFICATIONS

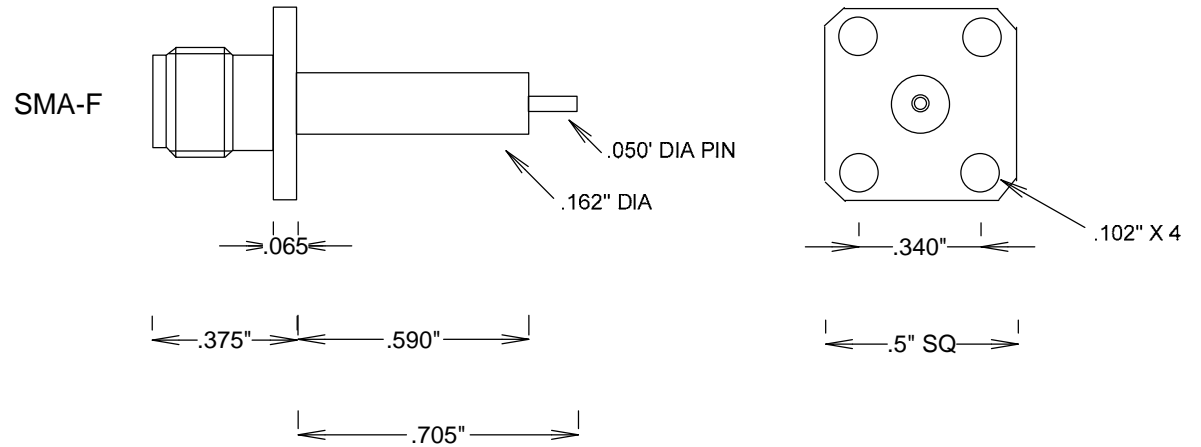
## ELECTRICAL:

FREQUENCY: 0-18 GHZ  
 IMPEDANCE: 50 OHMS

## MECHANICAL:

MATERIAL BODY: STAINLESS STEEL AU PLATING  
 CENTER CONTACT: BeCu Au PLATED MIL-G-45204  
 NON CAPTIVATED CONTACT  
 INSULATOR: TEFLON  
 INTERFACE: MIL-STD-883A  
 OP. TEMP RANGE: -55°C to +155°C

ROHS COMPLIANT



CENTER PIN IS NON CAPTIVATED  
 CENTER PIN CAN BE REMOVED

				<b>S. M. ELECTRONICS L.L.C.</b>			
				FAIRVIEW, TX 75069 WWW.SMELECTRONICS.US			
				TITLE			
				<b>SMA-F PANEL POST CONTACT</b>			
SIZE		CAGE CODE		DWG NO		REV	
<b>A</b>		<b>3FKR5</b>		<b>SC3728</b>		<b>--</b>	
SCALE				SHEET			