

SPECIFICATIONS

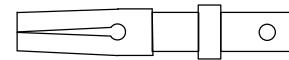
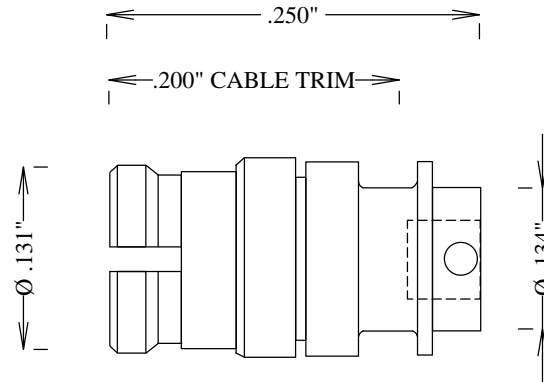
ELECTRICAL:

FREQUENCY: 0-40 GHZ
 IMPEDANCE: 50 OHMS
 OP. TEMP RANGE: -55° to +125°C

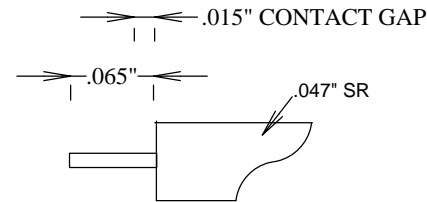
MECHANICAL:

MATERIAL BODY: BeCu
 CENTER CONTACTS: BeCu
 PLATING: Au PER MIL-G-45204
 INSULATOR: TEFLON
 INTERFACE: SMP DESC 94008

MMSF-F
 DESC 94008



CONTACT



CABLE TRIM

				S. M. ELECTRONICS L.L.C.	
				FAIRVIEW, TX 75069 WWW.SMELECTRONICS.US	
				TITLE	
				SMP-F .047 CABLE CONNECTOR	
SIZE		CAGE CODE	DWG NO	REV	
A		3FKR5	SC5146	--	
SCALE			SHEET		