

# SPECIFICATIONS

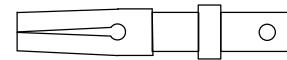
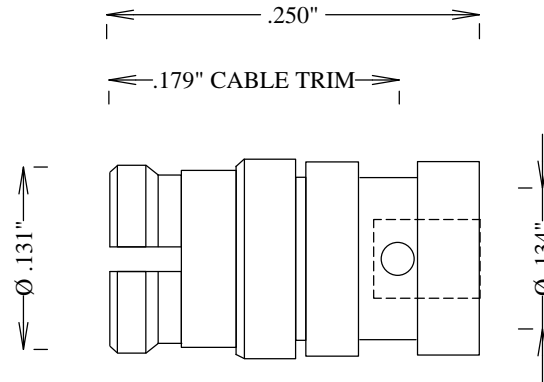
## ELECTRICAL:

FREQUENCY: 0-40 GHZ  
 IMPEDANCE: 50 OHMS  
 OP. TEMP RANGE: -55° to +125°C

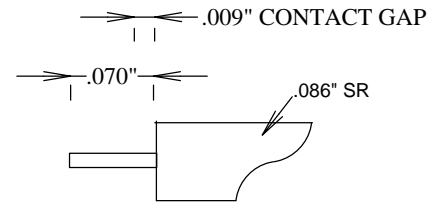
## MECHANICAL:

MATERIAL BODY: BeCu  
 CENTER CONTACTS: BeCu  
 PLATING: Au PER MIL-G-45204  
 INSULATOR: TEFLON  
 INTERFACE: SMP DESC 94008  
 ROHS COMPLIANT

SMP-F  
 DESC 94008



CONTACT



CABLE TRIM

				<b>S. M. ELECTRONICS L.L.C.</b>	
				FAIRVIEW, TX 75069 WWW.SMELECTRONICS.US	
				TITLE	
				<b>SMP-F .086" SR CABLE CONNECTOR</b>	
SIZE		CAGE CODE	DWG NO		REV
<b>A</b>		<b>3FKR5</b>	<b>SC5153</b>		<b>--</b>
SCALE				SHEET	