

SPECIFICATIONS

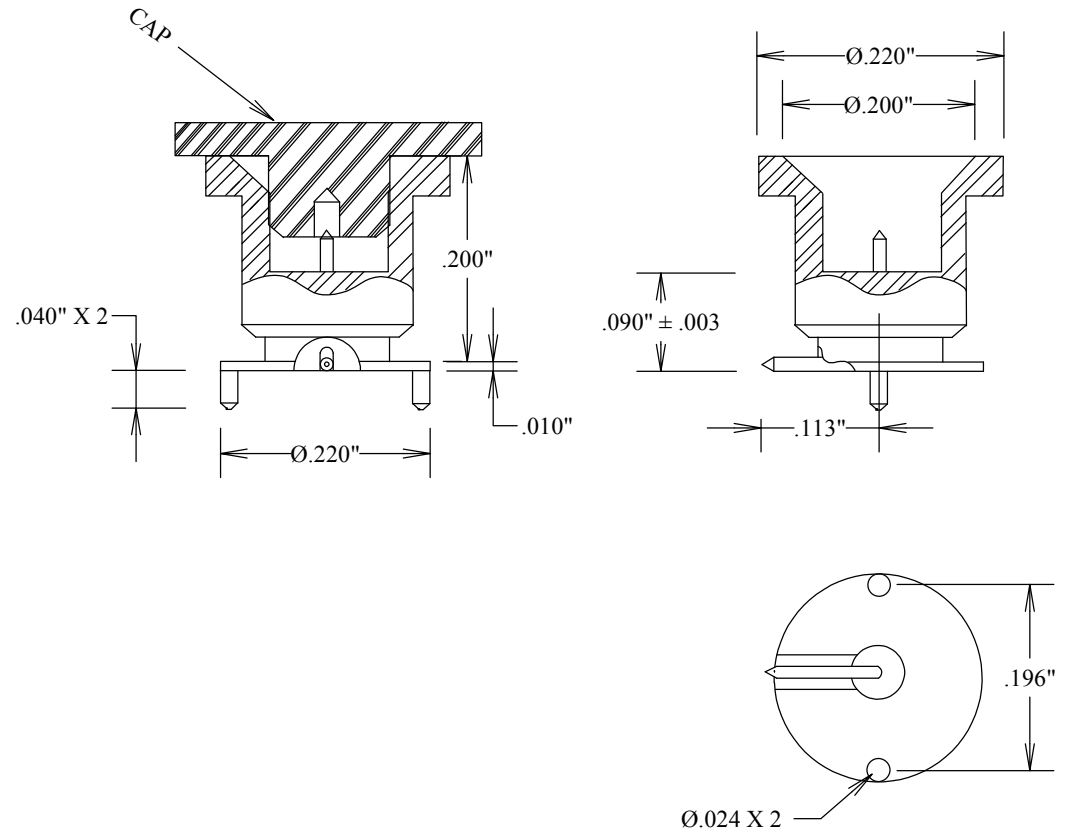
ELECTRICAL:

FREQUENCY: 0-18 GHZ
 IMPEDANCE: 50 OHMS
 OP. TEMP RANGE: -55C- +155C

MECHANICAL:

MATERIAL BODY: BeCu
 CENTER CONTACT: Au
 PLATING: Au MIL-G-45204
 INSULATOR: TORLON
 INTERFACE: DESC 94007

SMOOTH BORE
 FORCE TO ENGAGE: 2.0 LBS MAX
 FORCE TO DISENGAGE: 0.5 LBS MIN



				S. M. ELECTRONICS L.L.C.			
				FAIRVIEW, TX 75069 WWW.SMELECTRONICS.US			
				TITLE			
				SMP-MALE SMOOTH BORE CATCHERS MITT TO CERAMIC BOARD			
SIZE	CAGE CODE	DWG NO		REV			
A	3FKR5	SC5363		--			
SCALE			SHEET				