

SMP-M EDGE LAUNCH LIMITED DETENTE

SC5371

SPECIFICATIONS

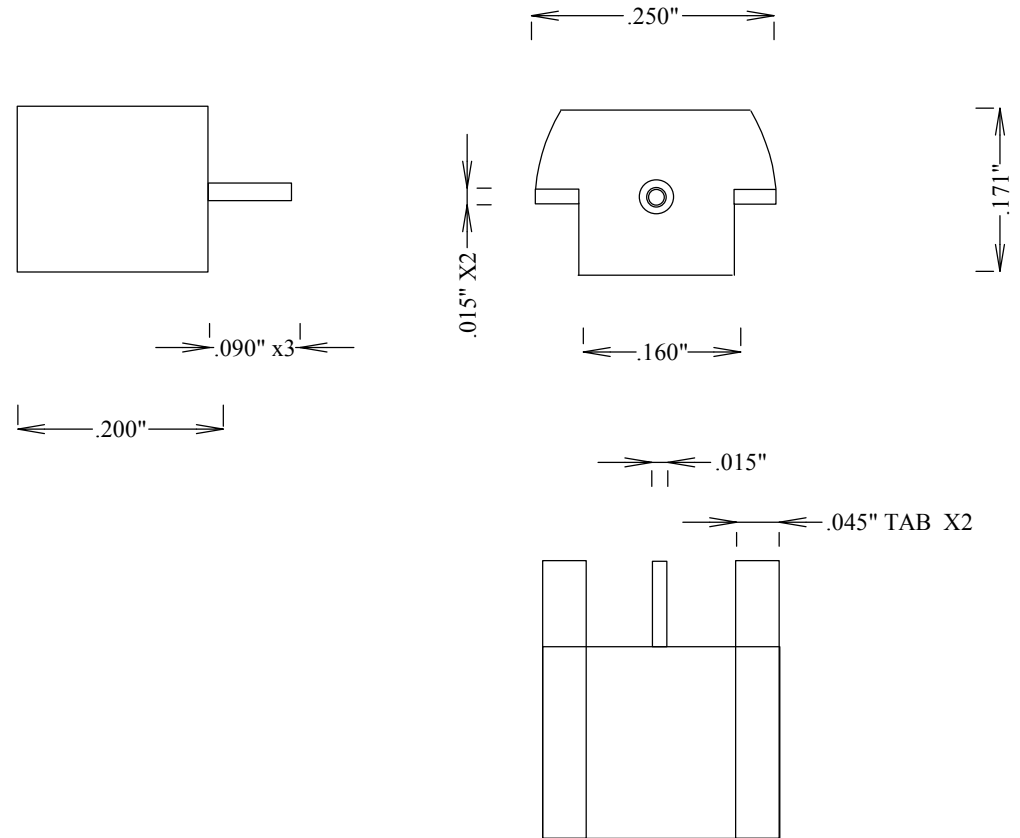
ELECTRICAL:

FREQUENCY: 0-40 GHZ
 IMPEDANCE: 50 OHMS

MECHANICAL:

MATERIAL BODY: BeCu
 CENTER CONTACTS: BeCu
 PLATING: Au PER MIL-G-45204
 INSULATOR: PTFE
 INTERFACE: SMP DESC 94007
 OP. TEMP RANGE: -65° to +165°C
 ROHS COMPLIANT

FORCE TO ENGAGE: 10.0 LBS MAX
 FORCE TO DISENGAGE: 2.0 LBS MIN



FAIRVIEW MICROWAVE INC.

ALLEN, TX 75013 WWW.FAIRVIEWMICROWAVE.COM

TITLE

SMP-M EDGE LAUNCH LIMITED DETENTE

| | | | |
|------------------|---------------------------|-------------------------|-----------------|
| SIZE A | CAGE CODE 3FKR5 | DWG NO SC5371 | REV A |
|------------------|---------------------------|-------------------------|-----------------|

| | |
|-------|-------|
| SCALE | SHEET |
|-------|-------|