

SPECIFICATIONS

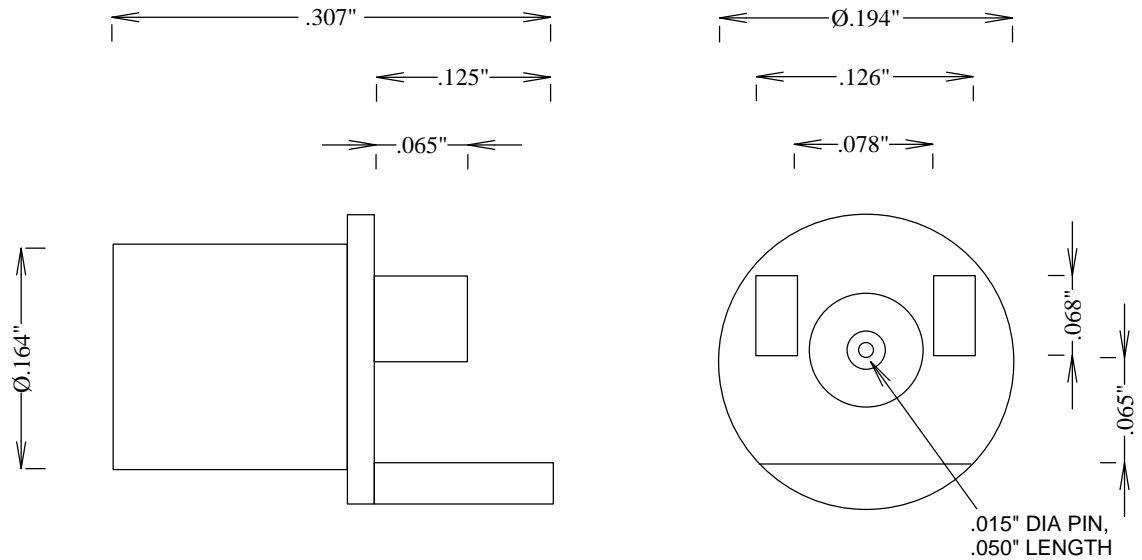
ELECTRICAL:

FREQUENCY: 0-40 GHZ
 IMPEDANCE: 50 OHMS

MECHANICAL:

MATERIAL BODY: BeCu
 CENTER CONTACTS: BeCu
 PLATING: Au PER MIL-G-45204
 INSULATOR: PTFE
 INTERFACE: SMP DESC 94008
 OP. TEMP RANGE: -55° to +155°C
 ROHS COMPLIANT

FORCE TO ENGAGE: 15.0 LBS MAX
 FORCE TO DISENGAGE: 5.0 LBS MIN



S. M. ELECTRONICS L.L.C.
 FAIRVIEW, TX 75069 WWW.SMELECTRONICS.US
 TITLE
 SMP-F EDGE LAUNCH FULL DETENTE .065" BRD

SIZE	CAGE CODE	DWG NO	REV
A	3FKR5	SC5382	--
SCALE		SHEET	