

# SPECIFICATIONS

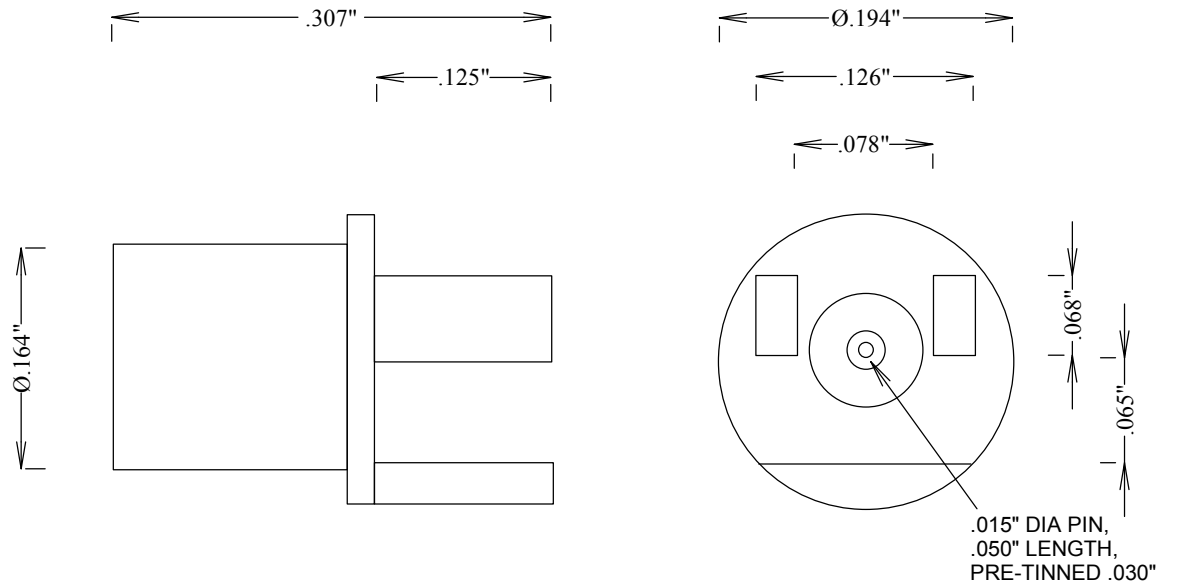
## ELECTRICAL:

FREQUENCY: 0-40 GHZ  
 IMPEDANCE: 50 OHMS

## MECHANICAL:

MATERIAL BODY: BeCu  
 CENTER CONTACTS: BeCu  
 PLATING: Au PER MIL-G-45204  
 INSULATOR: PTFE  
 INTERFACE: SMP DESC 94008  
 OP. TEMP RANGE: -55° to +155°C  
 ROHS COMPLIANT

FORCE TO ENGAGE: 15.0 LBS MAX  
 FORCE TO DISENGAGE: 5.0 LBS MIN



**S. M. ELECTRONICS L.L.C.**  
 FAIRVIEW, TX 75069 WWW.SMELECTRONICS.US  
 TITLE  
 SMP-M EDGE LAUNCH FULL DETENTE .065" BRD

SIZE	CAGE CODE	DWG NO	REV
<b>A</b>	<b>3FKR5</b>	<b>SC5384</b>	<b>A</b>
SCALE		SHEET	