

SPECIFICATIONS

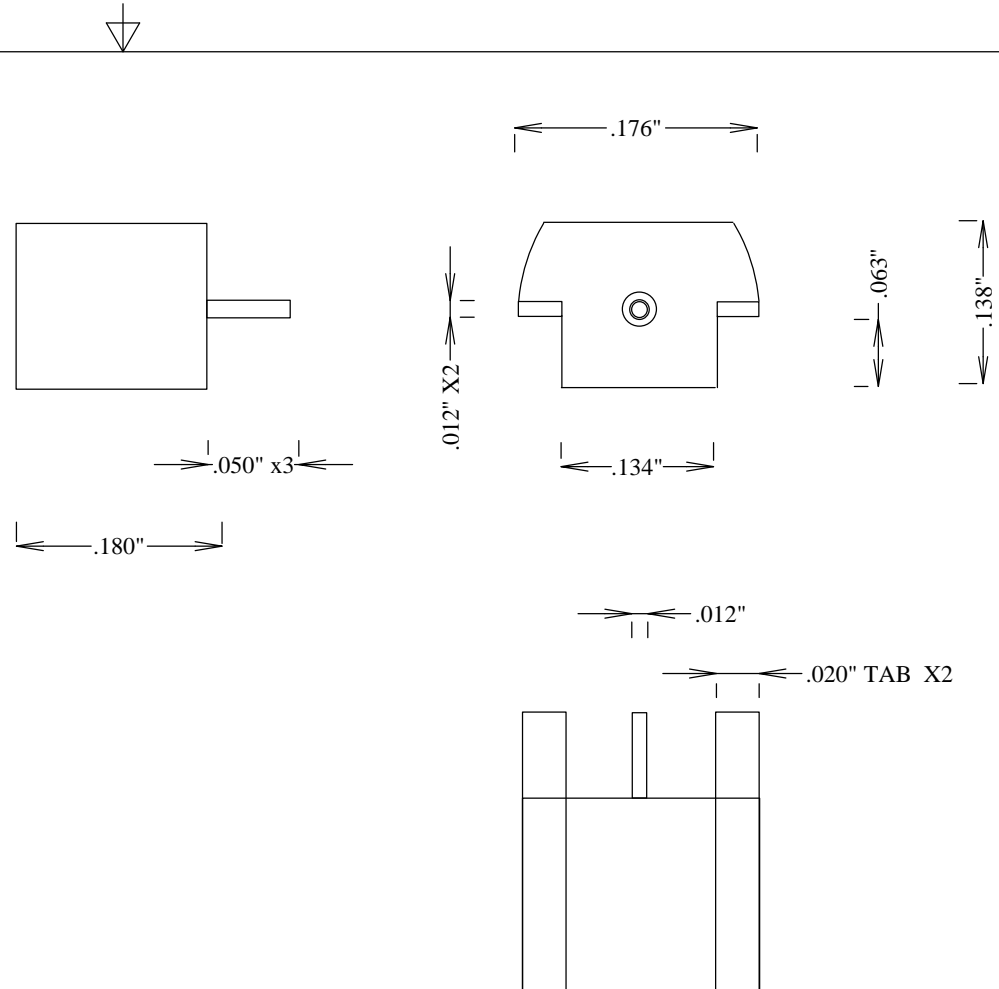
ELECTRICAL:

FREQUENCY: 0-40 GHZ
 IMPEDANCE: 50 OHMS

MECHANICAL:

MATERIAL BODY: BeCu
 CENTER CONTACTS: BeCu
 PLATING: Au PER MIL-G-45204
 INSULATOR: PTFE
 OP. TEMP RANGE: -65° to +165°C
 ROHS COMPLIANT

FORCE TO ENGAGE: 4.0 LBS MAX
 FORCE TO DISENGAGE: 2.5 LBS MIN



S. M. ELECTRONICS L.L.C.
 FAIRVIEW, TX 75069 WWW.SMELECTRONICS.US

TITLE
MINISMP-M EDGE LAUNCH LIMITED DETENTE

SIZE A	CAGE CODE 3FKR5	DWG NO SC5412	REV A
------------------	---------------------------	-------------------------	-----------------

SCALE	SHEET
-------	-------