

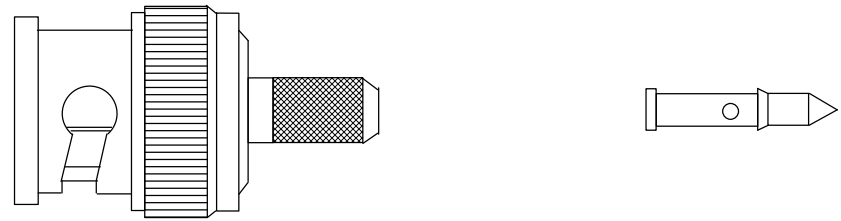
# SPECIFICATIONS

## ELECTRICAL:

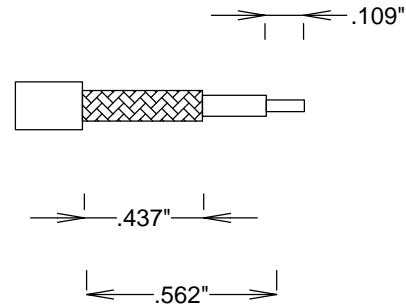
FREQUENCY: 0-4 GHZ  
 VSWR 1.2:1 MAX  
 IMPEDANCE: 50 OHMS  
 OP. TEMP RANGE: -55C- +155C

## MECHANICAL:

MATERIAL BODY: BRASS, NICKLE PLATED  
 CENTER CONTACT: BRASS  
 CONTACT PLATING: MIL-G-45204  
 INSULATOR: TEFLON  
 INTERFACE: MIL-STD-348A  
 ROHS COMPLIANT



1.09"



STRIPPING DIMENSIONS

				<b>S. M. ELECTRONICS</b>	
				FAIRVIEW, TX 75069 <a href="http://WWW.SMELECTRONICS.US">WWW.SMELECTRONICS.US</a>	
				TITLE	
				<b>BNC-MALE CRIMP CONN RG55</b>	
SIZE	CAGE CODE	DWG NO	REV		
<b>A</b>	<b>3FKR5</b>	<b>SC6024</b>	<b>--</b>		
SCALE			SHEET		