

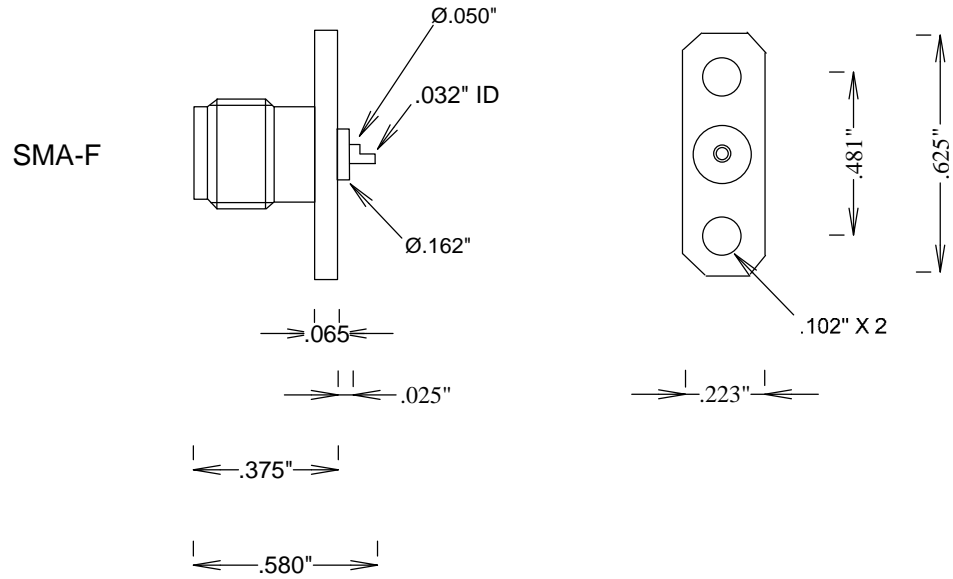
SPECIFICATIONS

ELECTRICAL:

FREQUENCY: 0-18 GHZ
 IMPEDANCE: 50 OHMS
 OP. TEMP RANGE: -55C to +155C

MECHANICAL:

MATERIAL BODY: PASSIVATED STAINLESS STEEL
 CENTER CONTACT: BeCu
 CONTACT PLATING: Au MIL-G-45204
 INSULATOR: TEFLON
 INTERFACE: MIL-STD-883A
 OP. TEMP RANGE: -55C to +155°C
 CAPTIVATED CONTACT
 ROHS COMPLIANT



				S. M. ELECTRONICS L.L.C.			
				FAIRVIEW, TX 75069 WWW.SMELECTRONICS.US			
				TITLE			
				SMA PANEL MOUNT SOLDER POT			
SIZE		CAGE CODE		DWG NO		REV	
A		3FKR5		SC7485		--	
SCALE				SHEET			