

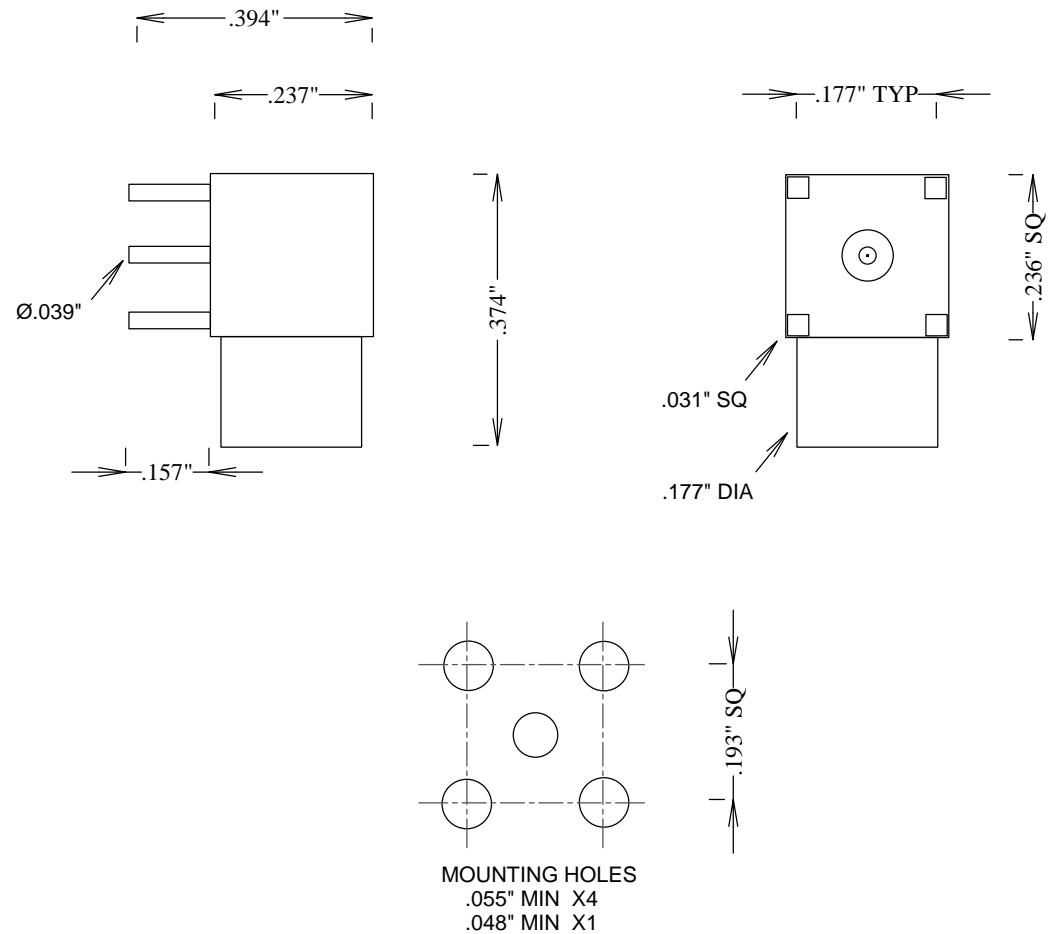
# SPECIFICATIONS

## ELECTRICAL:

FREQUENCY: 0-6 GHZ  
 VSWR 1.25:1 MAX  
 IMPEDANCE: 50 OHMS  
 OP. TEMP RANGE: -55C to +125C

## MECHANICAL:

MATERIAL BODY: BRASS AU PLATING  
 CENTER CONTACT: BeCu  
 CONTACT PLATING: Au 30μ"  
 CAPTIVATED CONTACT  
 INSULATOR: TEFLON  
 ROHS COMPLIANT



**S. M. ELECTRONICS L.L.C.**  
 FAIRVIEW, TX 75069 WWW.SMELECTRONICS.US

TITLE

**MCX-JACK PCB**

SIZE	CAGE CODE	DWG NO	REV
<b>A</b>	<b>3FKR5</b>	<b>SC9491</b>	--

SCALE	SHEET
-------	-------