

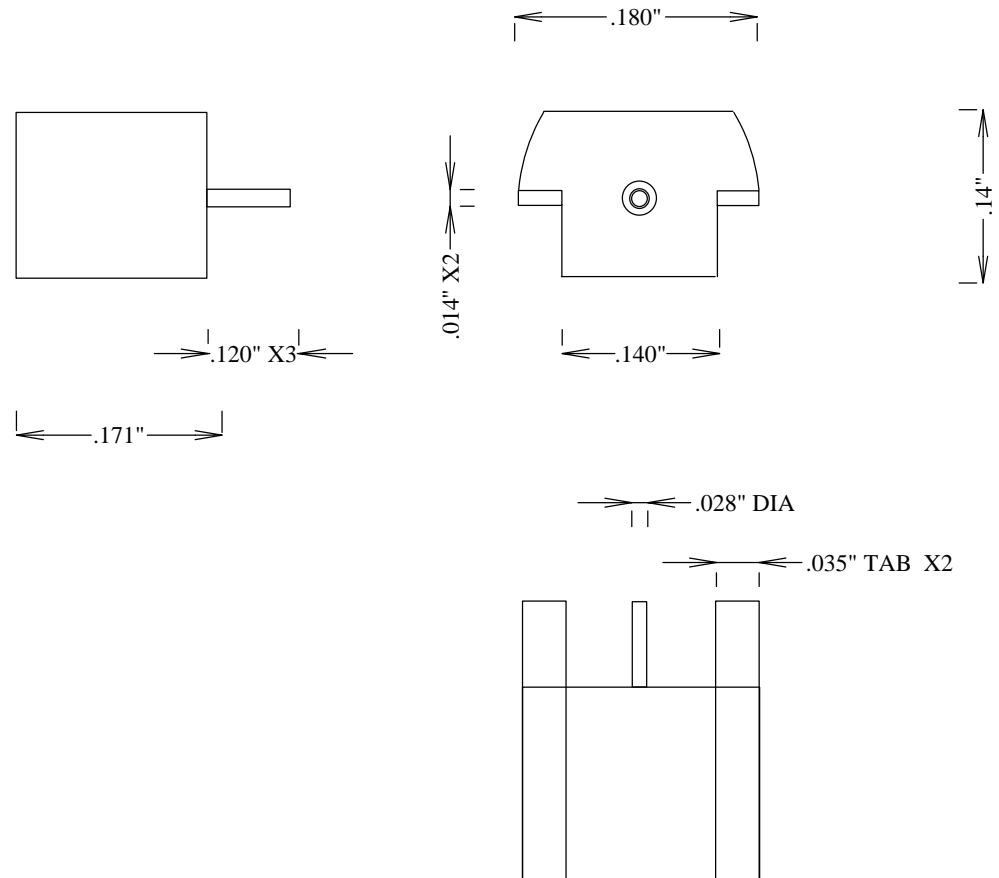
SPECIFICATIONS

ELECTRICAL:

FREQUENCY: 0-6 GHZ
 VSWR 1.25:1 MAX
 IMPEDANCE: 50 OHMS
 OP. TEMP RANGE: -55C to +125C

MECHANICAL:

MATERIAL BODY: BRASS AU PLATING
 CENTER CONTACT: BeCu
 CONTACT PLATING: Au MIL-G-45204
 CAPTIVATED CONTACT
 INSULATOR: TEFLON
 ROHS COMPLIANT



S. M. ELECTRONICS L.L.C.
 FAIRVIEW, TX 75069 WWW.SMELECTRONICS.US

TITLE
MMCX PCB EDGE LAUNCH

SIZE A	CAGE CODE 3FKR5	DWG NO SC9582	REV --
------------------	---------------------------	-------------------------	-----------

SCALE	SHEET
-------	-------