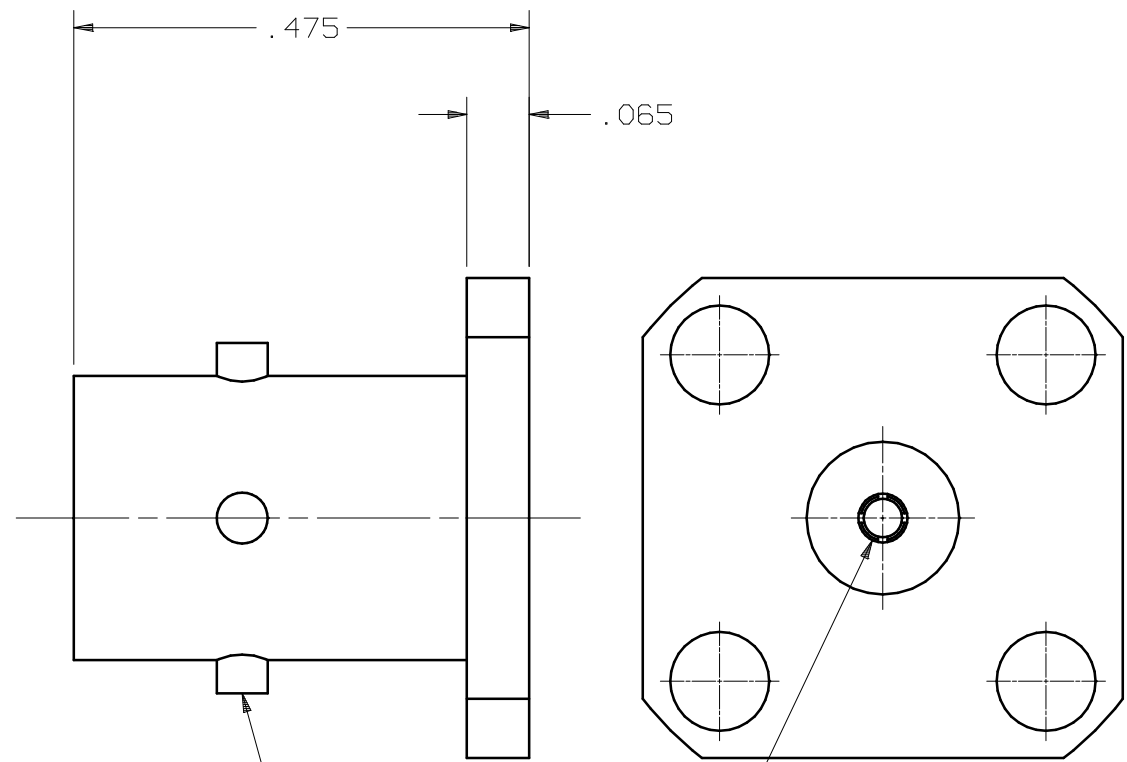
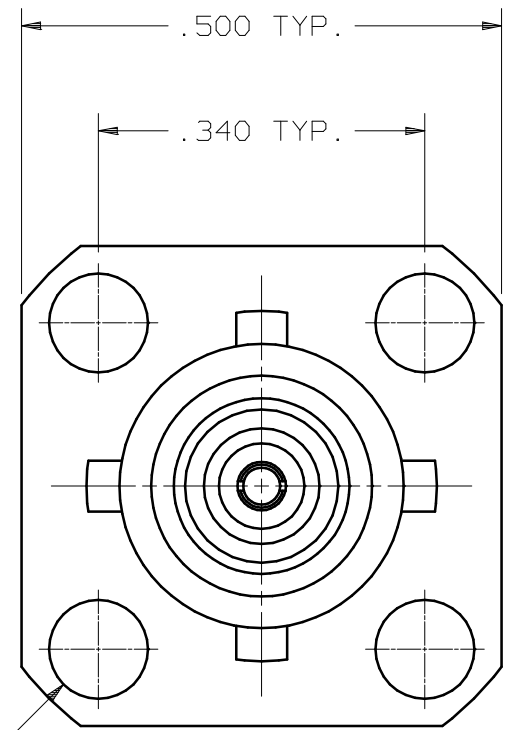


PRODUCT DATA DRAWING

CAD GENERATED DRAWING	DCN CONTROLLED DOCUMENT	DWG. NO. SF8750-6002
-----------------------------	-------------------------------	--------------------------------



.106/.104
DIA. THRU
4 PLACES

SOCKET ACCEPTS
.037/.035 DIA. X .100
LONG PIN

MATERIAL:

BODY: STAINLESS STEEL PER AMS-5640,
UNS S30300, TYPE I

CONTACT: BERYLLIUM COPPER PER ASTM-B-196,
ALLOY C17300, COND. TD04

INSULATOR: PTFE PER ASTM-D-1710

FINISH:

BODY: PASSIVATED PER QQ-P-35, TYPE II

CONTACT: GOLD PER MIL-G-45204, TYPE I,
GRADE C, CLASS 1; OVER NICKEL
PER QQ-N-290, CLASS 1

PERFORMANCE:

IMPEDANCE: 50 OHMS

DWV: 1000 VRMS

FREQ. RANGE: DC-2.0 GHz

INSUL. RES.: 5000 MEGOHMS, MIN.

SYM.	DESCRIPTION	DATE	APPR.	UNLESS OTHERWISE SPECIFIED: 1) ALL DIMENSIONS ARE AFTER PLATING. 2) BREAK CORNERS & EDGES .005 R. MAX. 3) CHAM. 1st & LAST THDS. 4) SURFACE ROUGHNESS 63 J MIL-STD-10. 5) DIAS. ON COMMON CENTERS TO BE CONCENTRIC WITHIN .005 T.I.R. 6) REMOVE ALL BURRS.	DIMENSIONS ARE IN INCHES TOLERANCES:			SV Microwave, Inc. 2400 Centrepark West Drive, Suite 100 West Palm Beach, FL 33409 TITLE: ZMA JACK (90° TYP.) FLANGE MOUNT WITH FEMALE SOCKET DWG. NO. SF8750-6002
-	REL. DCN 30496	10/03	STW		DECIMALS .X ±.030 .XX ±.015 .XXX ±.005	FRACTIONAL ±1/64	ANGULAR X° ±1°0' X°X' ±15'	
				DRAWN: MEB 10/10/03	MATERIAL: SEE ABOVE	□" AREA: N/A		
				CHECKED: STW 10/10/03	FINISH: SEE ABOVE	SIZE B	CAGE NO. 95077	SCALE 5X
				APPROVED: STW 10/10/03				