

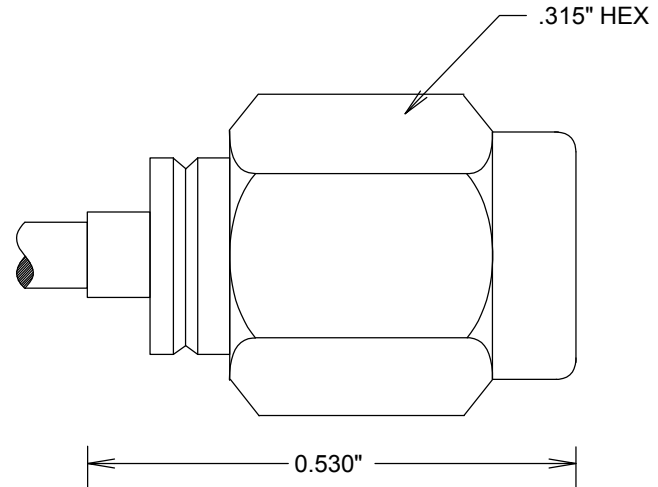
# SPECIFICATIONS

**ELECTRICAL**  
 50 OHMS  
 VSWR 1.3:1 MAX @ 50 GHZ  
 FREQUENCY: DC-50 GHZ

**MECHANICAL**  
 500 CYCLES MIN  
 4.0 INCH-OUNCES MIN CONTACT TORQUE  
 8-10 LBS COUPLING NUT MATING TORQUE

**ENVIRONMENTAL**  
 -55 DEG C TO +100 DEG C  
 CORROSION: MIL-STD 202  
 VIBRATION: MIL-STD 202

**MATERIALS** PASSIVATED STAINLESS STEEL  
 BODY: SST ASTM A484 / A582  
 BeCu ATSM-B-196  
 PASSIVATED ASTM A380  
 CENTER CONTACTS Au PLATED  
 MIL-G-45204



				<b>S. M. ELECTRONICS L.L.C</b>			
				FAIRVIEW, TX 75069 WWW.SMELECTRONICS.US			
				TITLE			
				<b>2.4mm M .085 SEMI-RIGID</b>			
SIZE		CAGE CODE		DWG NO		REV	
<b>A</b>		<b>3FKR5</b>		<b>SMC24-085M</b>		--	
SCALE				SHEET			