

N-F BULKHEAD .141" SR DIRECT SOLDER

SMC4032N

SPECIFICATIONS

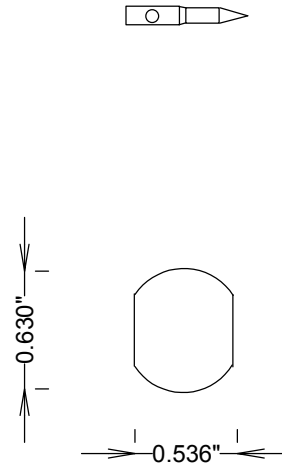
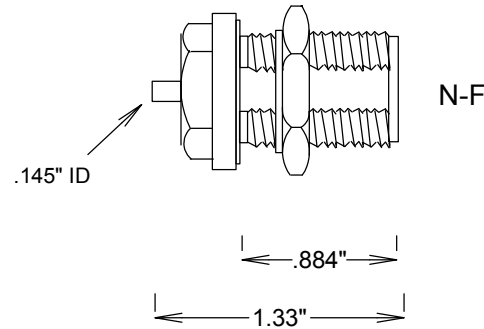
ELECTRICAL:

FREQUENCY: 0-11 GHZ
VSWR 1.3:1 MAX
IMPEDANCE: 50 OHMS

MECHANICAL:

MATERIAL BODY: PASS S STEEL
CENTER CONTACT: BeCu
CONTACT PLATING: Au MIL-G-45204
INSULATOR: TEFLON
INTERFACE: MIL-STD-348B
ROHS COMPLIANT
OP. TEMP RANGE: -55°C- +155°C

MAX PANEL: 0.25"



FAIRVIEW MICROWAVE INC.

ALLEN, TX 75013 WWW.FAIRVIEWMICROWAVE.COM

TITLE

N-F BULKHEAD .141" SR DIRECT SOLDER

SIZE	CAGE CODE	DWG NO	REV
A	3FKR5	SMC4032N	--

SCALE

SHEET