

## Directional Coupler, CPL-KC-07 series

Low Loss, Multi Section, Air-line Coupler  
380 - 2700 MHz, N or 7-16 mm DIN

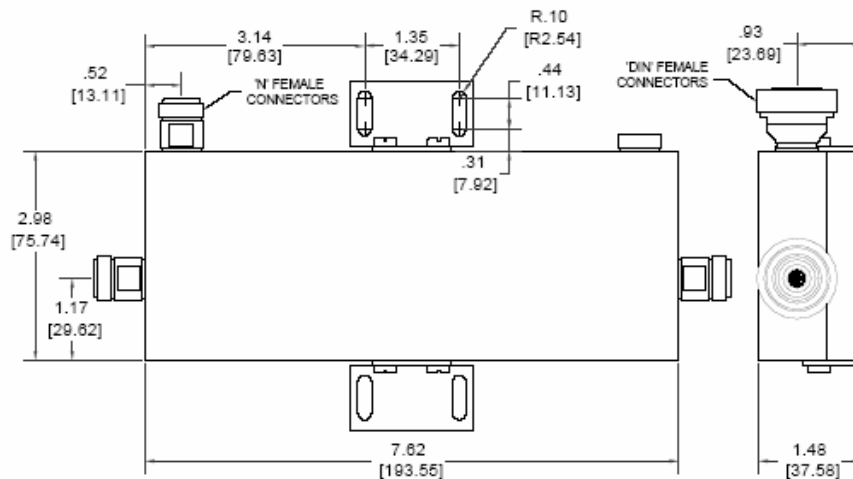
- ◆ 6, 10, 15 dB Coupling Values
- ◆ High Directivity/Isolation
- ◆ Low VSWR and Loss
- ◆ Tetra, Cellular and PCS/UMTS
- ◆ 200 Watt Average Power Rating
- ◆ High Reliability, Low PIM
- ◆ IP67, RoHS compliant
- ◆ 7-16 mm DIN or N Connectors



The KC-07 series, Directional Couplers, is a multi-section quarter wave, air-line design for indoor applications covering all Tetra and cellular bands to 2700 MHz. Units couple off a defined fraction of signal with minimal reflections or loss. The wide frequency range allows use with multiband antennas and leaky cable systems and in wireless base stations. With no solder joints and an air dielectric, the dissipative loss has been minimized and reliability enhanced. Standard units are 3 port configuration, and a 4 port configuration is available to order. See also KD and ND series, Unequal Power Splitters and Tappers, in same range for benefits.

Frequency Ranges:	380 to 2700 MHz
VSWR, max:	1.20:1, all ports (1.30:1, >2500 MHz)
Dissipative Loss:	0.1 dB max. (Main Line)
Power Handling:	200 W avg, 3 kW peak*
Directivity, min:	20dB, (18dB >2500 MHz)
Impedance:	50Ω nominal
Intermodulation, PIM:	<-140 dBc with 2 tones of +43 dBm; <-150 dBc to order
Environment:	IP67, -35°C to +75°C
Finish: Housing:	Passivated aluminum
Connectors:	Triplate, female
*Power may also be limited by feeding into poorly matched loads overloading the internal 2W termination.	

Model No N Conn	Model No 7-16 DIN	Coupling Value, norm	Coupled Loss, dB	Dissipative Loss, dB	Coupling Flatness		Weight, Norm oz (g)
					<500MHz	>500MHz	
KC-67N	KC-67D	6dB	1.26	<0.1	± 1.0	± 1.0	24 (680)
KC-77N	KC-77D	10dB	0.454	<0.1	± 1.5	± 1.0	24 (680)
KC-57N	KC-57D	15dB	0.140	<0.1	± 1.5	± 1.0	24 (680)



ALL DIMENSIONAL TOLERANCES ±.05" [1.5mm]  
UNLESS OTHERWISE SPECIFIED