

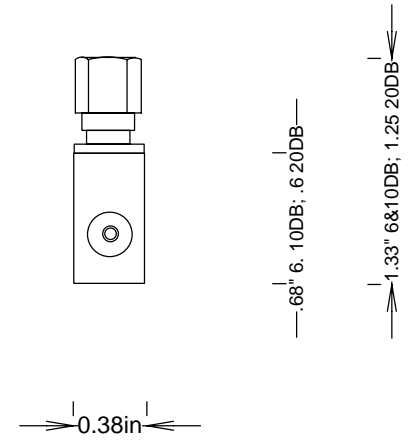
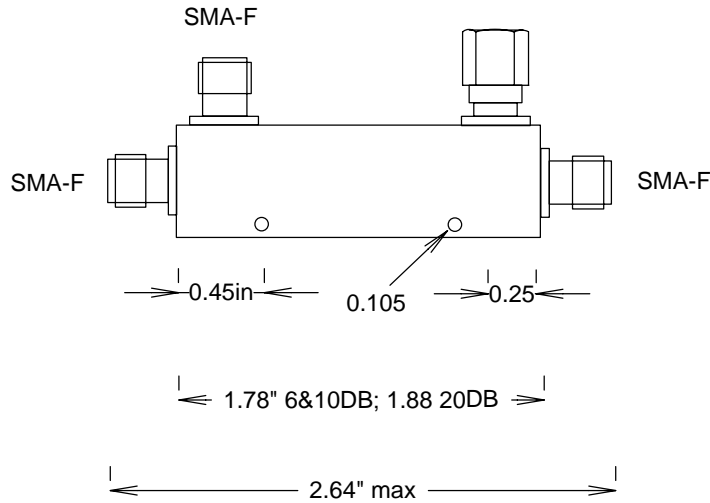
SPECIFICATIONS

ELECTRICAL:

FREQUENCY: 2-8 GHZ
 VSWR 1.25:1 MAX
 POWER CW: 50 WATTS
 POWER PEAK: 3KW
 DIRECTIVITY: 20 DB MIN
 TRUE LOSS: THRU: 6DB: 2.2DB
 TRUE LOSS: THRU: 10DB: 1.0DB
 TRUE LOSS: THRU: 20DB: 0.45DB
 IMPEDANCE: 50 OHMS

ENVIRONMENTAL:

TEMP: -55 C TO +125 C



DBd Communications Line Card		S. M. ELECTRONICS		
		FAIRVIEW, TX 75069 WWW.SMELECTRONICS.US		
		TITLE		
		SMA DIRECTIONAL COUPLERS 2-8GHZ		
SIZE	CAGE CODE	DWG NO		REV
A	3FKR5	MC2045		--
SCALE				SHEET