



**Specification Sheet  
MODEL XDC-5XX\*1-4-SMA-R  
Broadband Directional Couplers**

**Frequency Range:** 1-4 GHz

**Impedance:** 50 Ohms nominal

**Coupling:** 6dB +/- 1.0dB maximum  
10dB +/- 1.0dB maximum  
20dB +/- 1.0dB maximum  
30dB +/- 1.0 dB maximum

**Frequency Sensitivity:** +/- 0.7dB maximum

**Insertion Loss:** 6dB 0.5dB maximum  
10dB 0.5dB maximum  
20dB 0.4dB maximum  
30dB 0.4dB maximum

**Directivity:** 20dB minimum

**VSWR:** 1.20:1 maximum

**Power Input:** 6dB coupling: 4 Watts  
10dB coupling: 10 Watts  
20 & 30dB coupling: 50 Watts

**RF Connectors:** SMA Female

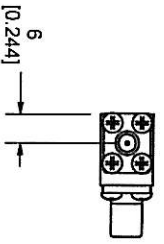
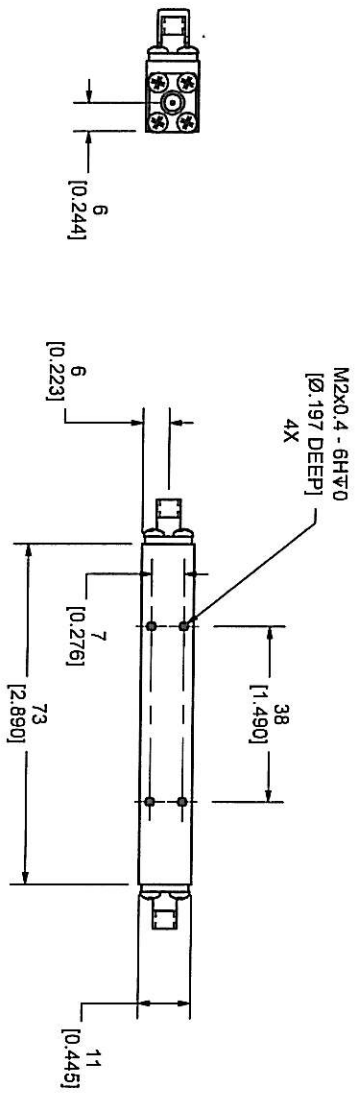
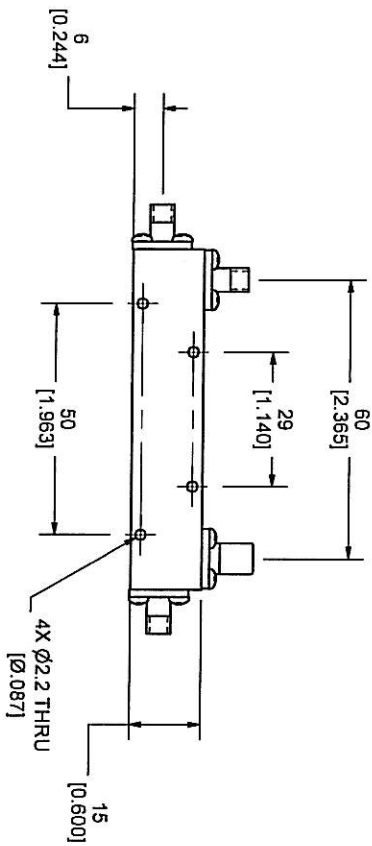
**Operating Temperature:** -55deg. C to +85 deg. C

\* insert desired coupling value to replace XX

ECR/PRR #	Date	APPR

Approved By: \_\_\_\_\_

Approved Internet/Email Copy



P/N	COUPLING VALUE
2011280000-R	6 dB
2011281000-R	10 dB
2011282000-R	20 dB
2011283000-R	30 dB

<p>ALL DIMENSIONS ARE UNLESS OTHERWISE SPECIFIED TOLERANCES ARE:</p> <p>DEC. XX.X      FIN.C.2</p> <p>XXX.X.DD5      FIN.C.4</p> <p>REMOVE BURRS BREAK SHARP EDGES</p>		<p>THIS PRINT (INCLUDING THE PRINCIPLE OF DESIGN) IS THE PROPERTY OF AND SUBMITTED BY TRILITHIC CORP. WITH THE UNDERSTANDING THAT IT IS NOT TO BE REPRODUCED OR TRANSMITTED IN ANY FORM OR BY ANY MEANS WITHOUT WRITTEN CONSENT.</p>	
MATERIAL	N/A	DR	DATE
FINISH	N/A	CHK	
		APPD	
<p>TRILITHIC Indianapolis, Indiana, U.S.A.</p> <p>OUT, 1.4 GHz XDC-5XXX-4-SMA-R</p>		SIZE	REV
DO NOT SCALE DRAWING	SCALE	B 23042	0040895000
		SHEET 1 OF 1	