

# CAVITY RESONATORS

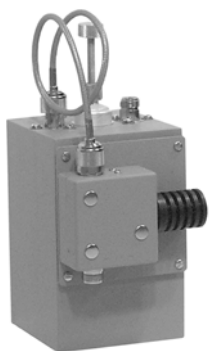
## UHF 650 - 894 MHz

### ELECTRICAL SPECIFICATIONS

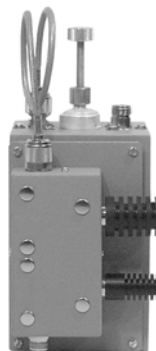
Model Number	Contact Factory (623) 581-2875	76414/CFC	76424/CFC	76514/CFC	76524/CFC
Frequency Band (MHz)	650-806	806-894	806-894	806-894	806-894
Power: Input Reflected	↑	50 W 30 W	50 W 30 W	125 W 60 W	125 W 60 W
Insertion Loss		1.4 dB	1.6 dB	1.4 dB	1.6 dB
Isolation		35+ dB	70+ dB	35+ dB	70+ dB
Isolator Stage		Single	Dual	Single	Dual
Noise Reject +/- 5 MHz		15+ dB	15+ dB	15+ dB	15+ dB
Impedance		50 Ω	50 Ω	50 Ω	50 Ω
VSWR: Input/Output		1.1:1 or Better	1.1:1 or Better	1.1:1 or Better	1.1:1 or Better
Electrical Length		1/4 λ	1/4 λ	1/4 λ	1/4 λ
Temp Range		- 22 to +140 °F - 30 to +60 °C	- 22 to +140 °F - 30 to +60 °C	- 22 to +140 °F - 30 to +60 °C	- 22 to +140 °F - 30 to +60 °C
List Price		\$785.00	\$1,095.00	\$830.00	\$1,170.00

### MECHANICAL SPECIFICATIONS

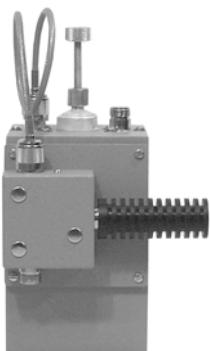
Dim (d x w): Inches Metric	6 x 19 153 x 483	6 x 19 153 x 483	6 x 19 153 x 483	6 x 19 153 x 483
Dim (Height): Inches Metric	5 1/4 134	5 1/4 134	5 1/4 134	5 1/4 134
Connectors	N Female	N Female	N Female	N Female
Finish	EMR Gray	EMR Gray	EMR Gray	EMR Gray
Ship Weight: lbs. kg.	6 2.8	6 2.8	6 2.8	6 2.8



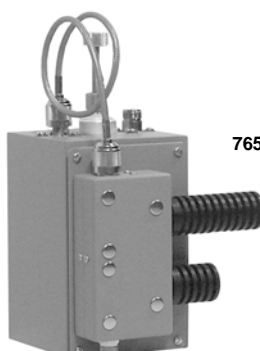
76414/CFC



76424/CFC

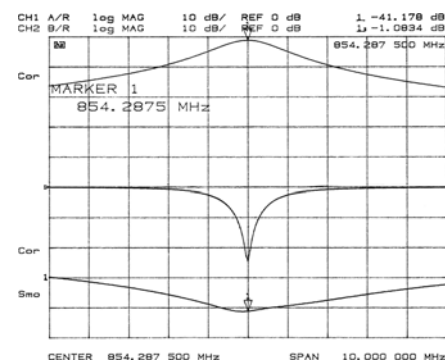


76514/CFC



76524/CFC

76414/CFC & 76514/CFC



76424/CFC & 76524/CFC

