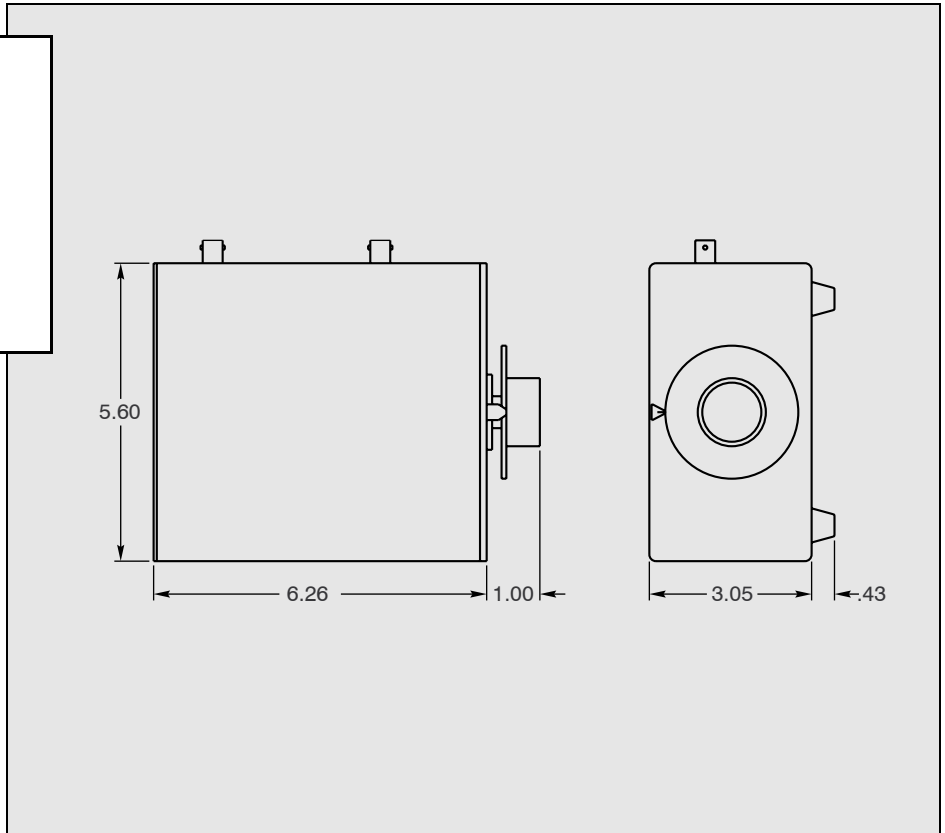




The VNF Series of tunable bandreject filters are available as high “Q”, three section, tunable cavity filters. The series covers the frequency range of 25 MHz to 2,500 MHz. Each model is tunable over an octave bandwidth with notch depths of at least 45 dB. The units are tuned via a knob with a dial calibrated in MHz and accurate to ±1%. Passband loss is typically less than 0.5 dB and passband VSWR is typically less than 1.2:1. These filters can be used to eliminate undesired signals as close to the passband as 500 kHz for the low band unit and 3 to 8 MHz for the 500 to 1,000 MHz band. For special requirements not covered by these standard models, please contact the factory.

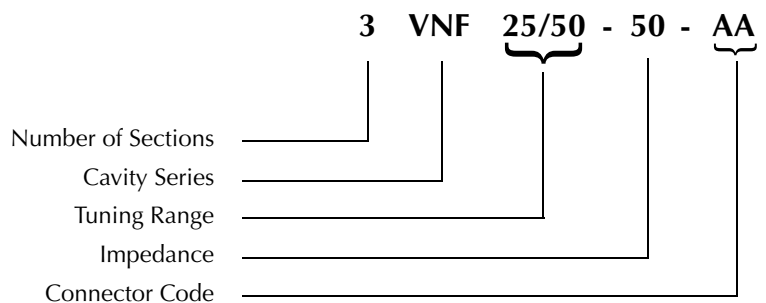


### Standard Configurations

Tunable Frequency Range (MHz)	25 to 50	50 to 100	100 to 200	200 to 400	250 to 500	500 to 1,000	1,000 to 2,000	1,500 to 2,500
Impedance (Ohms)	50 or 75	50 or 75	50 or 75	50 or 75	50 or 75	50 or 75	50	50
3 dB BW Range (MHz)	1 to 2.5	3 to 6	3 to 6	3 to 7	3 to 7	6 to 16	9 to 24	12 to 36
40 dB BW (Min.) (kHz)	100	300	300	300	300	400	400	1500
Typical Notch Depth	50 dB	50 dB	50 dB	50 dB	50 dB	45 dB	45 dB	45
Max. Insertion Loss	1.0 dB	1.0 dB	1.0 dB	1.0 dB	1.0 dB	1.0 dB	1.0 dB	1.0 dB
VSWR	1.5:1	1.5:1	1.5:1	1.5:1	1.5:1	1.5:1	1.5:1	1.5:1

Note: Custom options are available. Please consult factory.

### Model Numbering System



Also available in 75 ohm. Example: 3VNF 25/50-75-XX