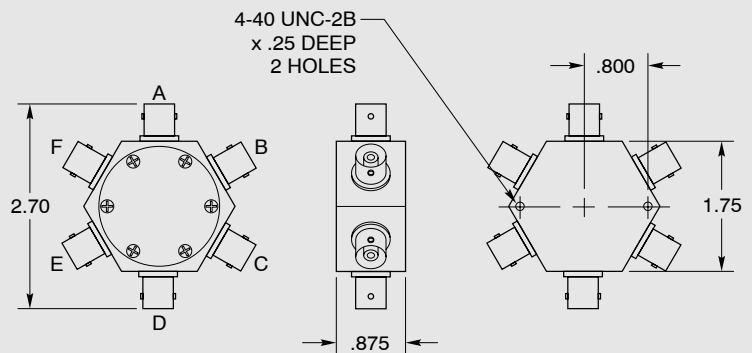
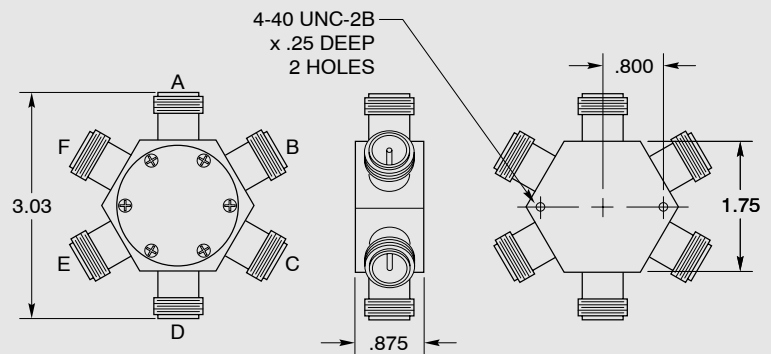
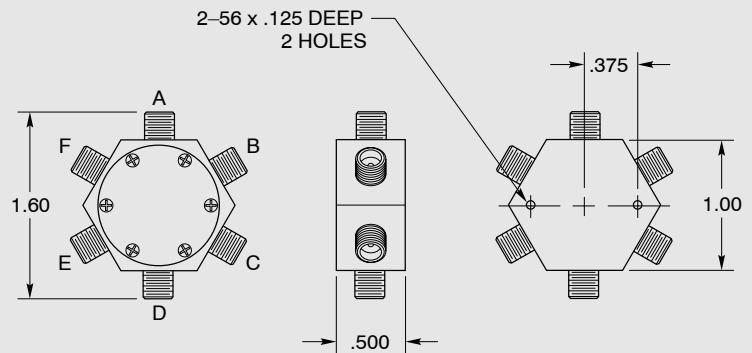
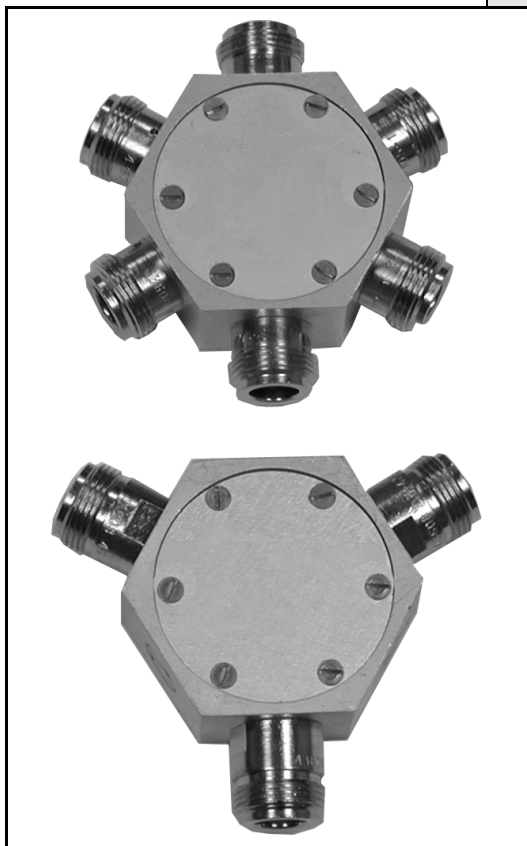


Resistive Power Divider



Trilithic's Resistive Power Divider series PD-50 offers low cost solutions to your power division or combining requirements. Standard frequency ranges available are DC to 3 GHz. Standard configurations include 2-way, 3-way, 4-way, and 5-way. Connector options include BNC, N, SMA, and TNC. Catalog items are specified at 1 Watt. High power units are also available. Please contact the factory for more information.

ATTENUATORS & COMPONENTS

Specifications	PD-50/2	PD-50/3	PD-50/4	PD-50/5
Frequency Range	DC to 3 GHz	DC to 3 GHz	DC to 3 GHz	DC to 3 GHz
Configuration	2-Way	3-Way	4-Way	5-Way
Connectors	SMA, BNC, N, TNC	SMA, BNC, N, TNC	SMA, BNC, N, TNC	SMA, BNC, N, TNC
Impedance	50 Ohm	50 Ohm	50 Ohm	50 Ohm
VSWR	1.5:1 maximum	1.5:1 maximum	1.5:1 maximum	1.5:1 maximum
Phase Balance*	±3.0°	±3.0°	±3.0°	±3.0°
Insertion Loss	6.0 dB ± 0.6 dB	9.5 dB ± 0.6 dB	12.0 dB ± 0.6 dB	14.0 dB ± 0.6 dB
Input Power	1 Watt	1 Watt	1 Watt	1 Watt
Temperature Range	-40°C to +85°C	-40°C to +85°C	-40°C to +85°C	-40°C to +85°C
Housing	Nickel Plated Steel	Nickel Plated Steel	Nickel Plated Steel	Nickel Plated Steel
Connectors Used	1, 2, 5	1, 2, 4, 5	1, 2, 3, 5, 6	1, 2, 3, 4, 5, 6