 **TRILITHIC**
Specification Sheet
MODEL XWPD-521-2-SMA-R
2-Way Broadband Power Divider

Frequency Range: 1-2GHz

Impedance: 50 Ohms nominal

Configuration: 2-Way

Isolation: 20dB minimum

Insertion Loss: 0.35 dB maximum
(above theoretical split)

Amplitude Tracking: +/- 0.2dB maximum

Phase Tracking: +/- 2 deg. maximum

VSWR: 1.20:1 maximum

Power Input: 30 Watts

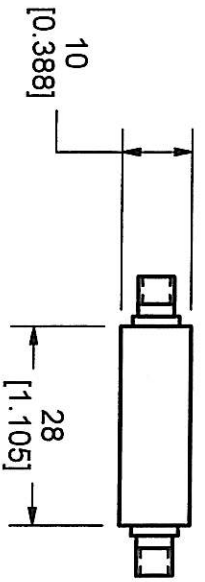
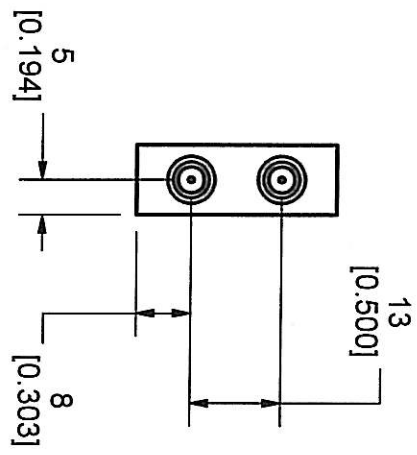
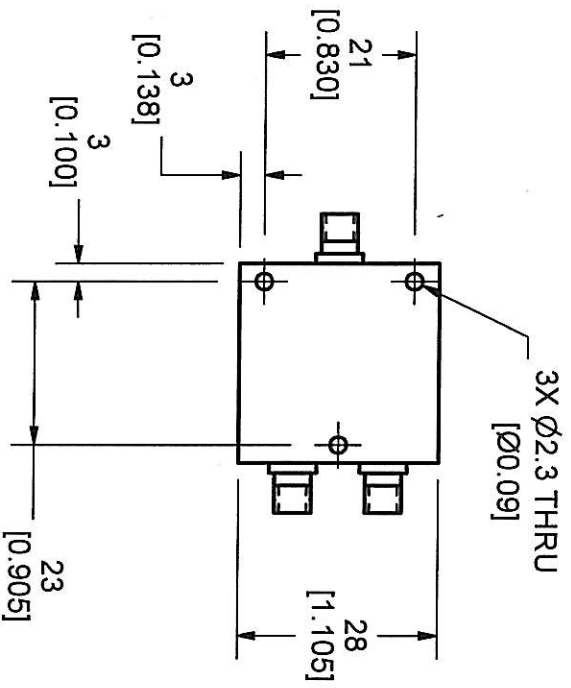
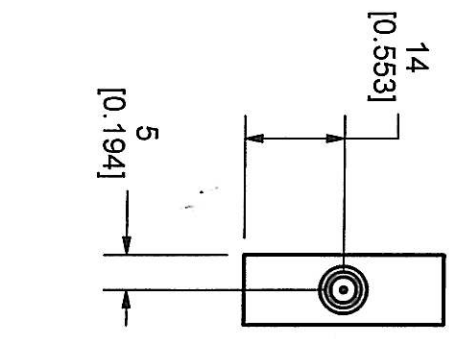
RF Connectors: SMA Female

Operating Temperature: -55 deg. to +85deg. C

ECR/PRR #	Date	APPR

Approved By: _____

Approved Internet/Email Copy



DIMENSIONS ARE IN INCHES UNLESS OTHERWISE SPECIFIED. TOLERANCES ARE:

DEC. XX #	FRAC #
XXX ±.005	ANG #

REMOVE BURRS. BREAK SHARP EDGES.

MATERIAL N/A

FINISH N/A

THIS PRINT INCLUDING THE PRINCIPLE OF DESIGN IS THE PROPERTY OF AND SUBMITTED BY TRILITHIC CORP. WITH THE UNDERSTANDING THAT IT IS NOT TO BE USED FOR ANY PURPOSE WITHOUT WRITTEN CONSENT

SIGNATURES

DATE

DR

CHK

APPD

TRILITHIC
Indianapolis, Indiana, U.S.A.

XWPD-521-2-SMA-R

SIZE	CAGE	DWG NO.	REV
A	23042	---	-

DO NOT SCALE DRAWING SCALE SHEET 1 OF 1