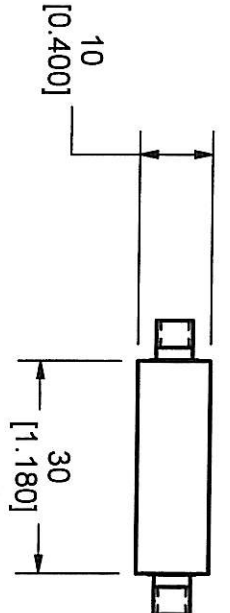
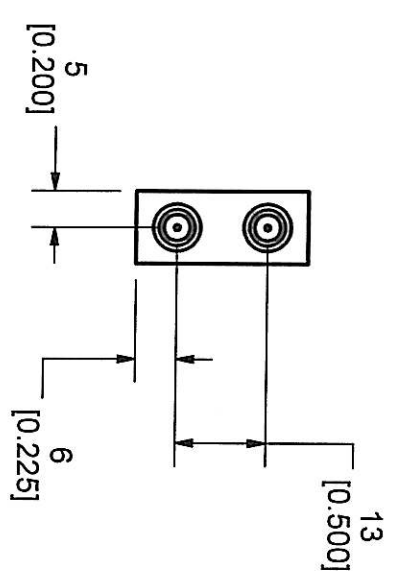
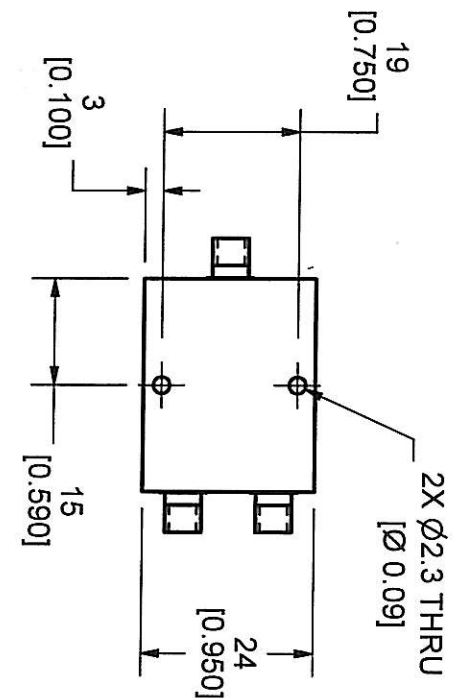
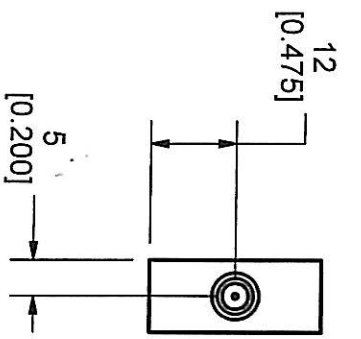

TRILITHIC
Specification Sheet
MODEL XWPD-526-18-SMA-R
2-Way Broadband Power Divider

Frequency Range: 6-18GHz
Impedance: 50 Ohms nominal
Configuration: 2-Way
Isolation: 18dB minimum
Insertion Loss: 0.7 dB maximum
 (above theoretical split)
Amplitude Tracking: +/- 0.4dB maximum
Phase Tracking: +/- 5 deg. maximum
VSWR: 1.50:1 maximum
Power Input: 30 Watts
RF Connectors: SMA Female
Operating Temperature: -55 deg. to +85deg. C

ECR/PRR #	Date	APPR

Approved By: _____

Approved Internet/Email Copy



DIMENSIONS ARE IN INCHES UNLESS OTHERWISE SPECIFIED.
TOLERANCES ARE:

DEC. XX ±	FRAC ±
XXX ± .005	ANG ±
REMOVE BURRS, BREAK SHARP EDGES.	
MATERIAL	
N/A	
FINISH	
N/A	

THIS PRINT INCLUDING THE PRINCIPLE OF DESIGN IS THE PROPERTY OF AND SUBMITTED BY TRILITHIC CORP. WITH THE UNDERSTANDING THAT IT IS NOT TO BE USED FOR ANY PURPOSE WITHOUT WRITTEN CONSENT.

SIGNATURES

DATE

TRILITHIC
Indianapolis, Indiana, U.S.A.
XWPD-526-18-SMA-R

SIZE	CAGE	DWG NO.	REV
A	23042	---	-
DO NOT SCALE DRAWING			SCALE
SHEET 1 OF 1			