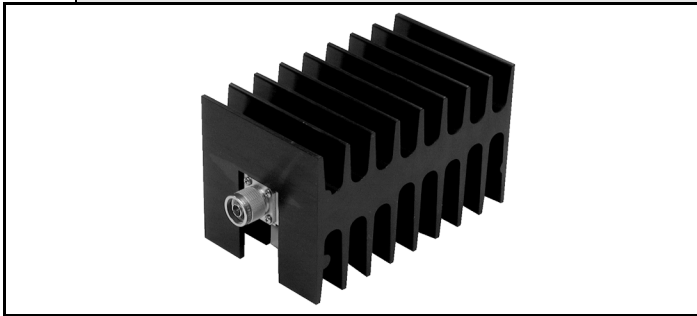


High Power Terminations



The HTF-series of high power terminations have been redesigned to extend the frequency range and offer lower VSWR. These units have 50 ohm impedance and are standard with N male or N female connectors. Other connectors are available upon request.

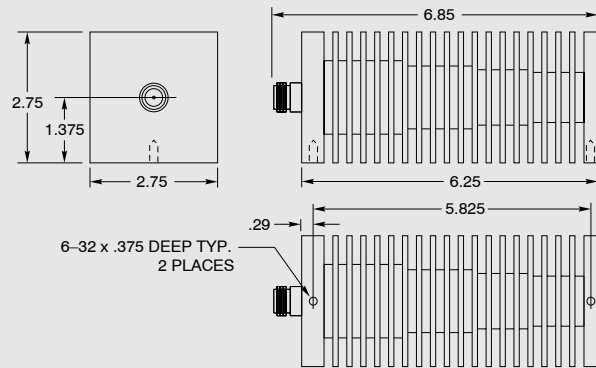


Figure 1.

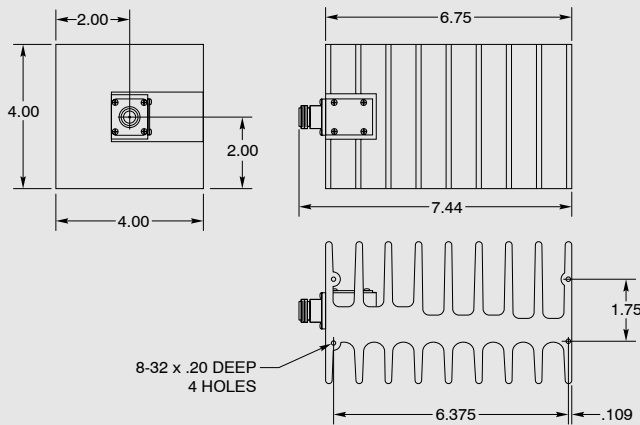


Figure 2.

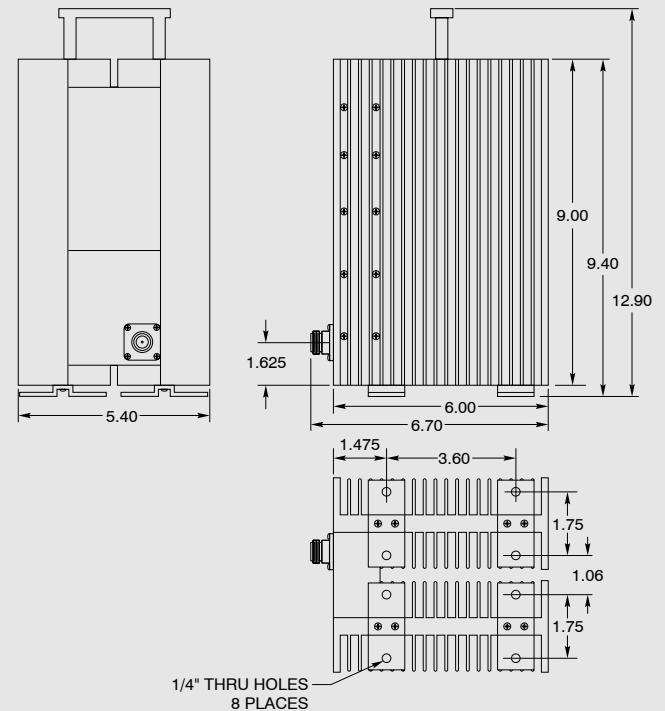


Figure 3.

Specifications	HTF-5100-3	HTF-5150-3	HTF-5300-3
Impedance	50 Ohms	50 Ohms	50 Ohms
Frequency Range	DC to 3 GHz	DC to 3 GHz	DC to 3 GHz
Power	100 Watts	150 Watts	300 Watts
Connector Types	N M/F	N M/F	N M/F
Max. VSWRDC to 1 GHz	1.10:1	1.10:1	1.10:1
1 to 3 GHz	1.30:1	1.30:1	1.30:1
Weight	42 Oz.	5.0 Lbs.	11.5 Lbs.
Dimensions	See Figure 1	See Figure 2	See Figure 3

ATTENUATORS & COMPONENTS