

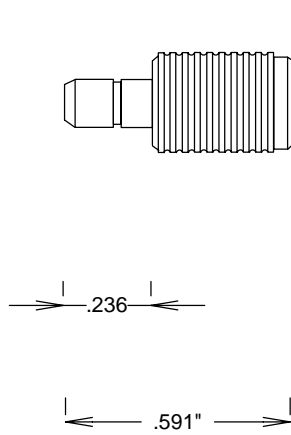
SPECIFICATIONS

ELECTRICAL:

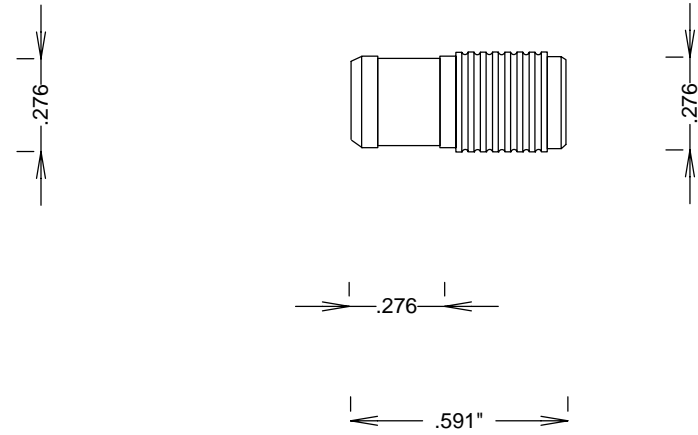
FREQUENCY: 0-4 GHZ
 VSWR @ 4 GHZ: 1.2:1 MAX
 POWER (AVG) 1WATT @ 25 DEG C
 POWER (PEAK) 1KW/50 MICRO-S
 IMPEDANCE: 50 OHMS
 OP. TEMP RANGE: -55C- +125C

MECHANICAL:

MATERIAL BODY: BRASS
 BODY PLATING : Au



ST04B-J



ST04B-P

				S. M. ELECTRONICS	
				FAIRVIEW, TX WWW.SMELECTRONICS.US	
				TITLE	
				TERMINATIONS 4GHZ SMB	
SIZE		CAGE CODE	DWG NO	REV	
A		3FKR5	ST04B -P, -J	--	
SCALE			SHEET		