

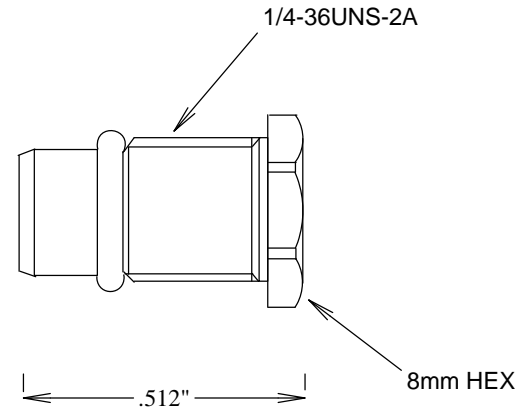
SPECIFICATIONS

ELECTRICAL

FREQUENCY: 0-18 GHZ
 IMPEDANCE: 50 OHMS
 VSWR: 1.2:1 MAX @ 18GHZ
 POWER: 1 WATT

MECHANICAL

MATERIAL BODY: PASS. STAINLESS STEEL
 CONTACTS: BeCu
 CONTACT PLATING: Au PER MIL-G-45204
 INSULATOR: PTFE
 TEMPERATURE RANGE: -55 TO +120°C
 ROHS COMPLIANT



				S. M. ELECTRONICS L.L.C.			
				FAIRVIEW, TX 75069 WWW.SMELECTRONICS.US			
				TITLE			
				BMA PLUG (MALE) TERMINATION 18GHZ			
SIZE		CAGE CODE		DWG NO		REV	
A		3FKR5		ST1863		--	
SCALE						SHEET	