

# SPECIFICATIONS

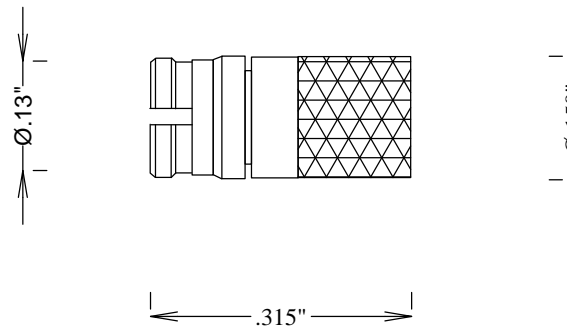
## ELECTRICAL:

FREQUENCY: 0-26.5 GHZ  
 IMPEDANCE: 50 OHMS  
 VSWR 1.2:1 MAX @ 18GHZ  
 POWER: 0.25 WATTS CW  
 IMPEDANCE: 50 OHMS

## MECHANICAL:

MATERIAL BODY: BeCu  
 CENTER CONTACTS: BeCu  
 PLATING: Au PER MIL-G-45204  
 INSULATOR: PTFE  
 INTERFACE: SMP DESC 94008  
 OP. TEMP RANGE: -55° to +125°C  
 ROHS COMPLIANT

SMP-F  
 DESC 94008



				<b>S. M. ELECTRONICS L.L.C.</b>	
				FAIRVIEW, TX 75069 WWW.SMELECTRONICS.US	
				TITLE	
				<b>SMP-F TERMINATION 26.5 GHZ</b>	
SIZE	CAGE CODE	DWG NO	REV		
<b>A</b>	<b>3FKR5</b>	<b>ST2645</b>	<b>--</b>		
SCALE			SHEET		