

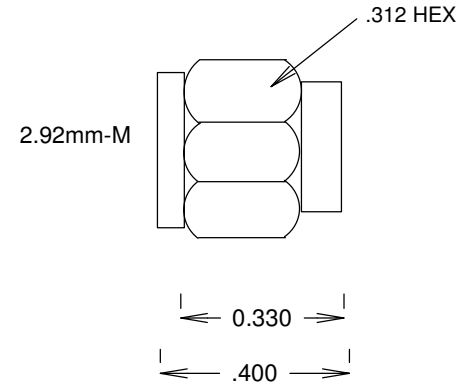
SPECIFICATIONS

ELECTRICAL:

FREQUENCY: 0-40 GHZ
 VSWR @ 40GHZ: 1.25:1 MAX
 POWER (AVG) 0.5 WATTS
 POWER (PEAK) 1KW/50 MICRO-S
 IMPEDANCE: 50 OHMS
 OP. TEMP RANGE: -55C- +135C

MECHANICAL:

MATERIAL BODY: PASSIVATED STAINLESS STEEL
 CENTER CONTACT: GOLD PLATED PER MIL-G-45204



				S. M. ELECTRONICS	
				FAIRVIEW, TX WWW.SMELECTRONICS.US	
				TITLE	
				TERMINATION 40 GHZ 2.92-MALE	
SIZE	CAGE CODE	DWG NO	ST4010		REV
A					B
SCALE			SHEET		