

SPECIFICATIONS

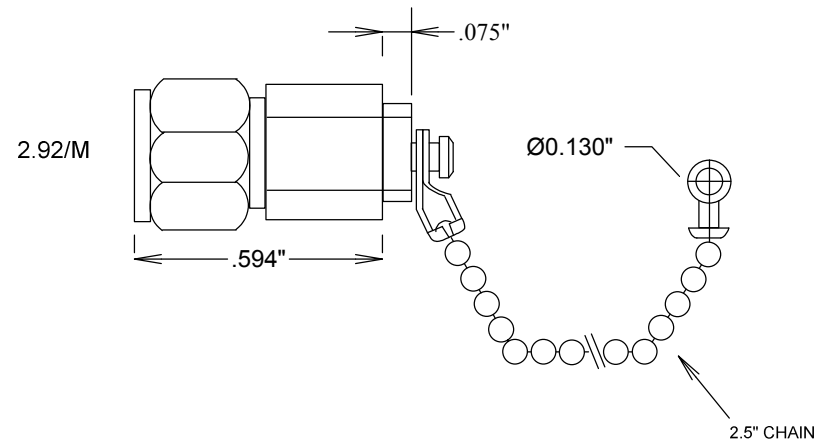
ELECTRICAL:

FREQUENCY: 0-40 GHZ
 VSWR @ 40GHZ: 1.25:1 MAX
 POWER (AVG) 1 WATT
 DERATES LINEARLY TO 10% WATTS @ 125°C
 IMPEDANCE: 50 OHMS
 OP. TEMP RANGE: -55 to+125°C

MECHANICAL:

MATERIAL BODY: PASSIVATED STAINLESS STEEL
 CENTER CONTACT: Au PLATED BeCu PER MIL-G-45204

INTERFACE: MIL-STD-348



				FAIRVIEW MICROWAVE	
				ALLEN, TX 75013 WWW.FAIRVIEWMICROWAVE.COM	
				TITLE	
				TERMINATION 40 GHZ 2.92-M CHAIN	
SIZE	CAGE CODE	DWG NO	ST4017C		REV
A	3FKR5				--
SCALE			SHEET		