

SPECIFICATIONS

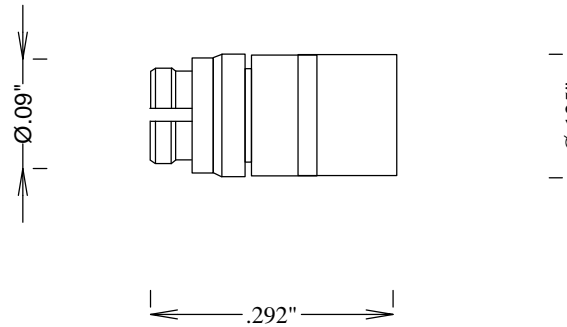
ELECTRICAL:

FREQUENCY: 0-40 GHZ
 IMPEDANCE: 50 OHMS
 VSWR 1.6:1 MAX @ 40GHZ
 VSWR = 1.5 MAX @ 26GHZ
 IMPEDANCE: 50 OHMS

MECHANICAL:

MATERIAL BODY: BeCu
 CENTER CONTACTS: BeCu
 PLATING: Au PER MIL-G-45204
 INSULATOR: PTFE
 OP. TEMP RANGE: -55° to +125°C
 ROHS COMPLIANT

SSMP-F



S. M. ELECTRONICS L.L.C.
 FAIRVIEW, TX 75069 WWW.SMELECTRONICS.US

TITLE

MINI SMP-F TERMINATION 40 GHZ

SIZE	CAGE CODE	DWG NO	REV
A	3FKR5	ST4079	--

SCALE	SHEET
-------	-------