

SPECIFICATIONS

ELECTRICAL:

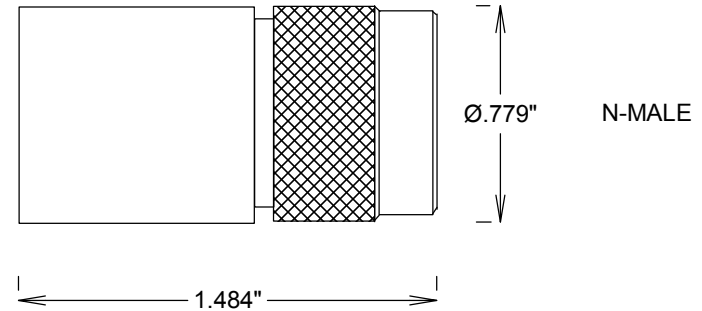
FREQUENCY: 0-4 GHZ
 VSWR 1.15:1 MAX
 POWER (AVG) 5 WATTS @ 25 DEG C
 POWER (PEAK) 2 KW
 IMPEDANCE: 50 OHMS

MECHANICAL:

MATERIAL BODY: NICKEL PLATED BRASS
 CENTER CONTACT: GOLD PLATED BRASS

ENVIRONMENTAL:

TEMP: -55 C TO +125 C



				S. M. ELECTRONICS LLC	
				FAIRVIEW, TX WWW.SMELECTRONICS.US	
				TITLE	
				TERMINATION N-M 4GHZ 5WATT	
SIZE	CAGE CODE	DWG NO	REV		
A	3FKR5	ST4N5WA	--		
SCALE			SHEET		