

SPECIFICATIONS

ELECTRICAL:

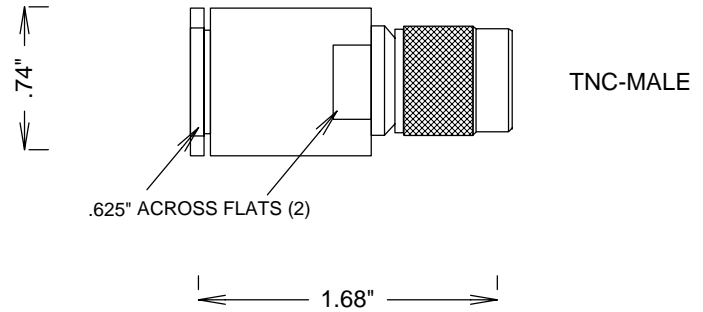
FREQUENCY: 0-4 GHZ
 VSWR 1.15:1 MAX
 POWER (AVG) 5 WATTS @ 25 DEG C
 POWER (PEAK) 2 KW
 IMPEDANCE: 50 OHMS

MECHANICAL:

MATERIAL BODY: NICKEL PLATED BRASS
 INTERFACE: MIL-STD-348A

ENVIRONMENTAL:

TEMP: -55 C TO +150 C



				DBD COMMUNICATIONS LINE CARD	
				TITLE	
				TERMINATION TNC-M 4GHZ 5WATT	
SIZE	CAGE CODE	DWG NO	REV		
A	3FKR5	ST4T-5W	--		
SCALE			SHEET		