

SPECIFICATIONS

ELECTRICAL:

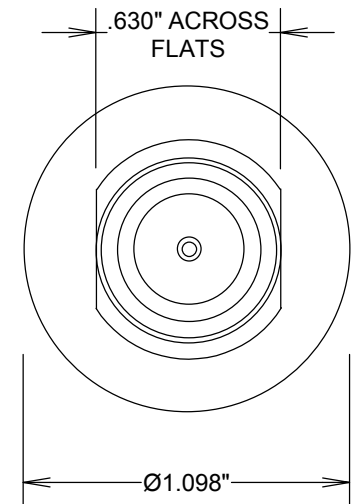
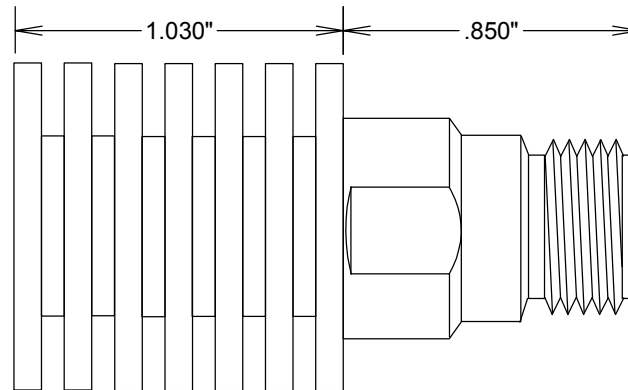
FREQUENCY: 0-6 GHZ
 VSWR: 1.2 MAX TO 6 GHZ
 POWER (AVG) 10 WATTS @ 25 DEG C
 POWER DERATES LINEARLY TO 10% @ 125 C°
 PEAK POWER: 500 WATTS
 IMPEDANCE: 50 OHMS

MECHANICAL:

MATERIAL CONNECTORS: BRASS
 MATERIAL BODY: ALUMINUM

ENVIRONMENTAL:

TEMP: -65° C TO +125° C



| | | | | | |
|----------|--|--------------|-----------------|---|--|
| | | | | FAIRVIEW MICROWAVE | |
| | | | | FAIRVIEW, TX WWW.FAIRVIEWMICROWAVE.COM | |
| | | | | TITLE | |
| | | | | TERMINATION N/FEMALE 6GHZ 10WATTS | |
| SIZE | | CAGE CODE | DWG NO | REV | |
| A | | 3FKR5 | ST6N-10F | -- | |
| SCALE | | | SHEET | | |