

SPECIFICATIONS

ELECTRICAL:

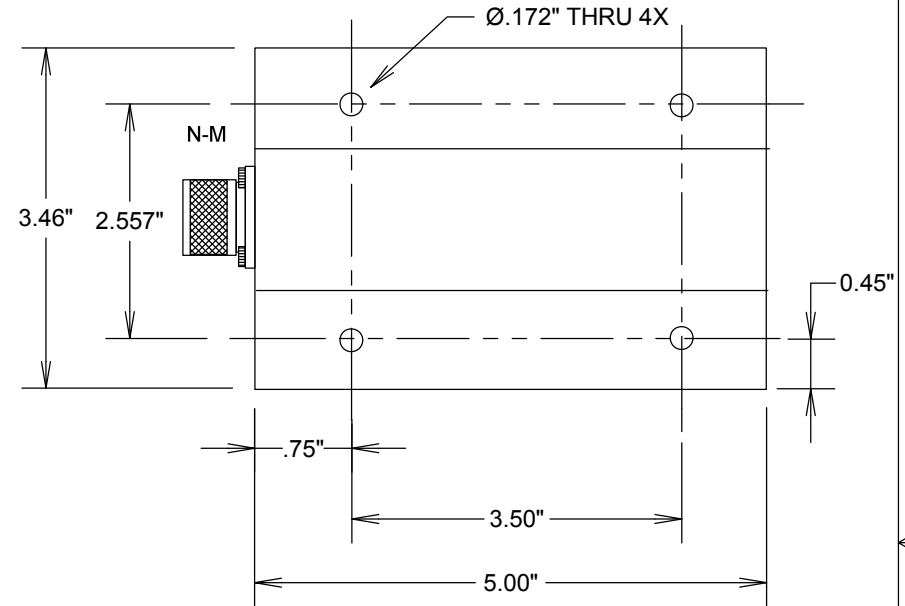
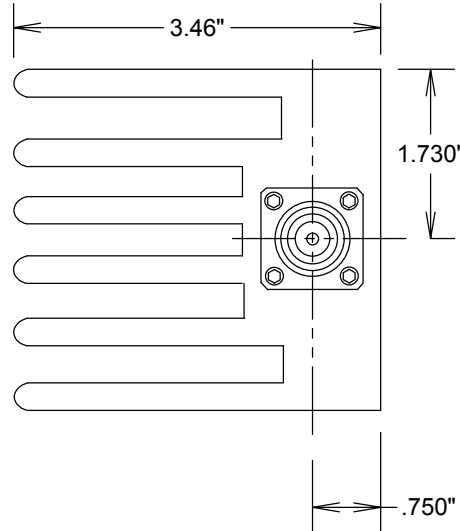
FREQUENCY: 0-6 GHZ
 VSWR @ 2 GHZ: 1.25:1
 VSWR @ 6 GHZ: 1.45:1
 POWER (AVG) 150 WATTS @ 25 DEG C
 POWER (PEAK) 2000 WATTS

IMPEDANCE: 50 OHMS

INTERFACE: MIL-STD-348

ENVIRONMENTAL:

TEMP: -55 C TO +125 C



FAIRVIEW MICROWAVE

ALLEN, TX 75013 WWW.FAIRVIEWMICROWAVE.COM

TITLE

TERMINATION N-MALE 150 WATTS 6GHZ

SIZE	CAGE CODE	DWG NO	REV
A	3FKR5	ST6NL-150	--
SCALE		SHEET	