

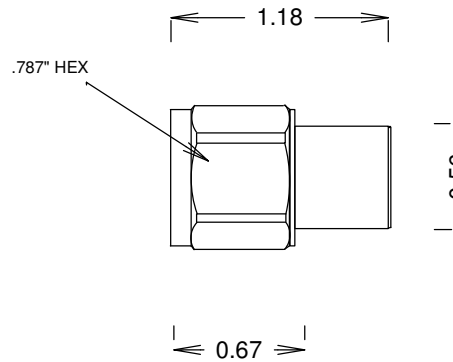
SPECIFICATIONS

ELECTRICAL:

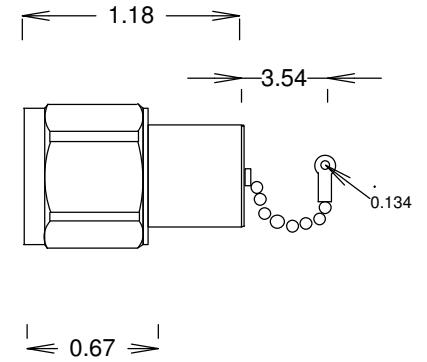
FREQUENCY: 0-6 GHZ
 VSWR @ 6 GHZ: 1.2:1 MAX
 POWER (AVG) 2 WATTS @ 25 DEG C
 POWER (PEAK) 1KW/50 MICRO-S
 IMPEDANCE: 50 OHMS
 OP. TEMP RANGE: -55C- +125C

MECHANICAL:

MATERIAL BODY: BRASS
 BODY PLATING : TRIMETAL (TIN/ZINC/COPPER)
 CENTER CONTACT: GOLD PLATED PER MIL-G-45204
 RESISTIVE ELEMENT: THIN FILM ON AIUMINA SUBSTRATE



STN0610



STN0610C

				DBD COMMUNICATIONS LINE CARD	
				TITLE	
				TERMINATION 6GHZ N-MALE	
SIZE	CAGE CODE	DWG NO			REV
A		STN0610 , STN0610C			A
SCALE			SHEET		