

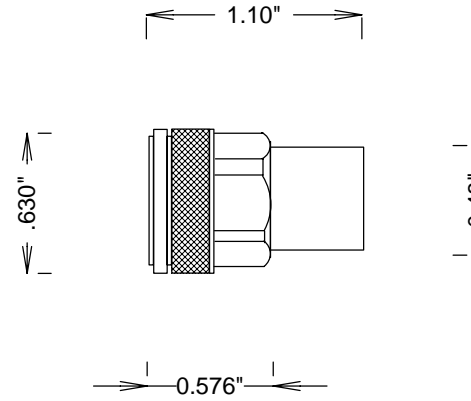
SPECIFICATIONS

ELECTRICAL:

FREQUENCY: 0-6 GHZ
 VSWR @ 6 GHZ: 1.2:1 MAX
 POWER (AVG) 2 WATTS @ 25 DEG C
 DERATES LINEARLY TO 1W @ 125 DEG C
 POWER (PEAK) 1KW/50 MICRO-S
 IMPEDANCE: 50 OHMS
 OP. TEMP RANGE: -55C- +125C

MECHANICAL:

MATERIAL BODY: BRASS w TRI-METAL PLATING
 CENTER CONTACT: GOLD PLATED PER MIL-G-45204
 INTERFACE: MIL-STD-348A



STT0637

				DBD COMMUNICATIONS LINE CARD	
				TITLE	
				TERMINATION 6GHZ TNC-MALE	
SIZE	CAGE CODE	DWG NO	REV		
A	3FKR5	STT0637	A		
SCALE			SHEET		