

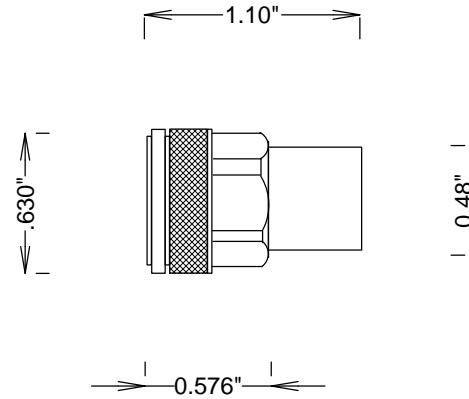
SPECIFICATIONS

ELECTRICAL:

FREQUENCY: 0-18 GHZ
 VSWR @ 18 GHZ: 1.3:1 MAX
 POWER (AVG) 2 WATTS @ 25 DEG C
 DERATES LINEARLY TO 1W @ 125 DEG C
 POWER (PEAK) 1KW/50 MICRO-S
 IMPEDANCE: 50 OHMS
 OP. TEMP RANGE: -55C- +125C

MECHANICAL:

MATERIAL BODY: BRASS w TRI-METAL PLATING
 CENTER CONTACT: GOLD PLATED PER MIL-G-45204
 INTERFACE: MIL-STD-348A
 ROHS COMPLIANT



STT1841

				S. M. ELECTRONICS L.L.C.	
				FAIRVIEW, TEXAS WWW.SMELECTRONICS.US	
				TITLE	
				TERMINATION 18GHZ TNC-MALE	
SIZE		CAGE CODE	DWG NO		REV
A		3FKR5	STT1841		A
SCALE				SHEET	