

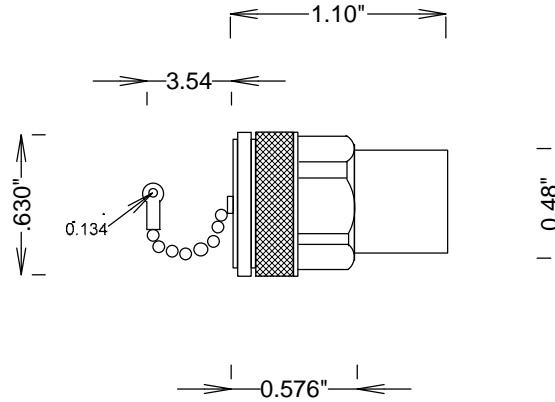
SPECIFICATIONS

ELECTRICAL:

FREQUENCY: 0-6 GHZ
 VSWR @ 18 GHZ: 1.3:1 MAX
 POWER (AVG) 2 WATTS @ 25 DEG C
 DERATES LINEARLY TO 1W @ 125 DEG C
 POWER (PEAK) 1KW/50 MICRO-S
 IMPEDANCE: 50 OHMS
 OP. TEMP RANGE: -55C- +125C

MECHANICAL:

MATERIAL BODY: BRASS w TRI-METAL PLATING
 CENTER CONTACT: GOLD PLATED PER MIL-G-45204
 INTERFACE: MIL-STD-348A
 ROHS COMPLIANT



STT1843

				S. M. ELECTRONICS L.L.C.			
				FAIRVIEW, TEXAS WWW.SMELECTRONICS.US			
				TITLE			
				TERMINATION 18GHZ TNC-MALE w CHAIN			
SIZE	CAGE CODE	DWG NO		REV			
A	3FKR5	STT1843		A			
SCALE			SHEET				